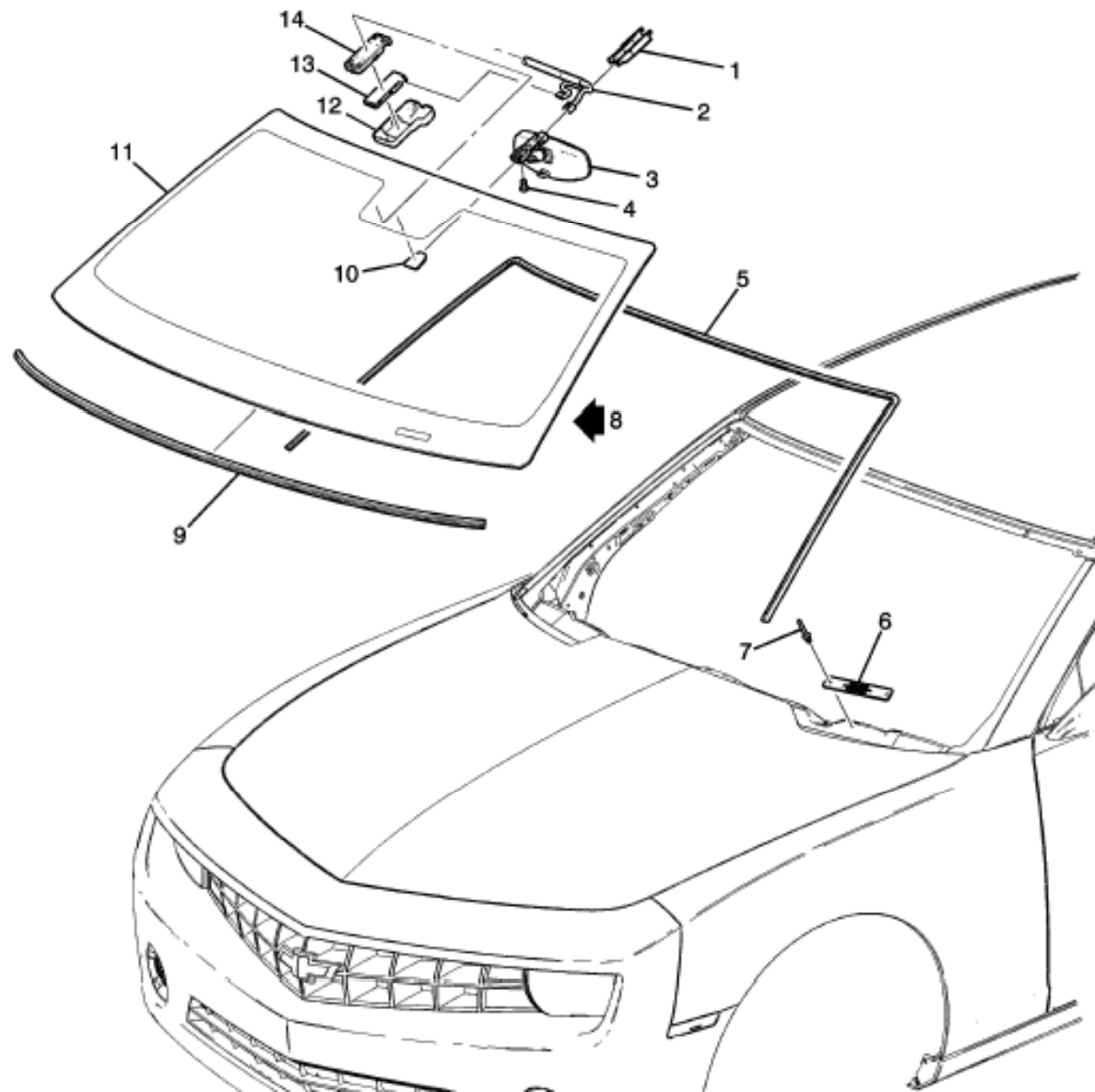


Camaro Body-In-White: Part Reference Guide

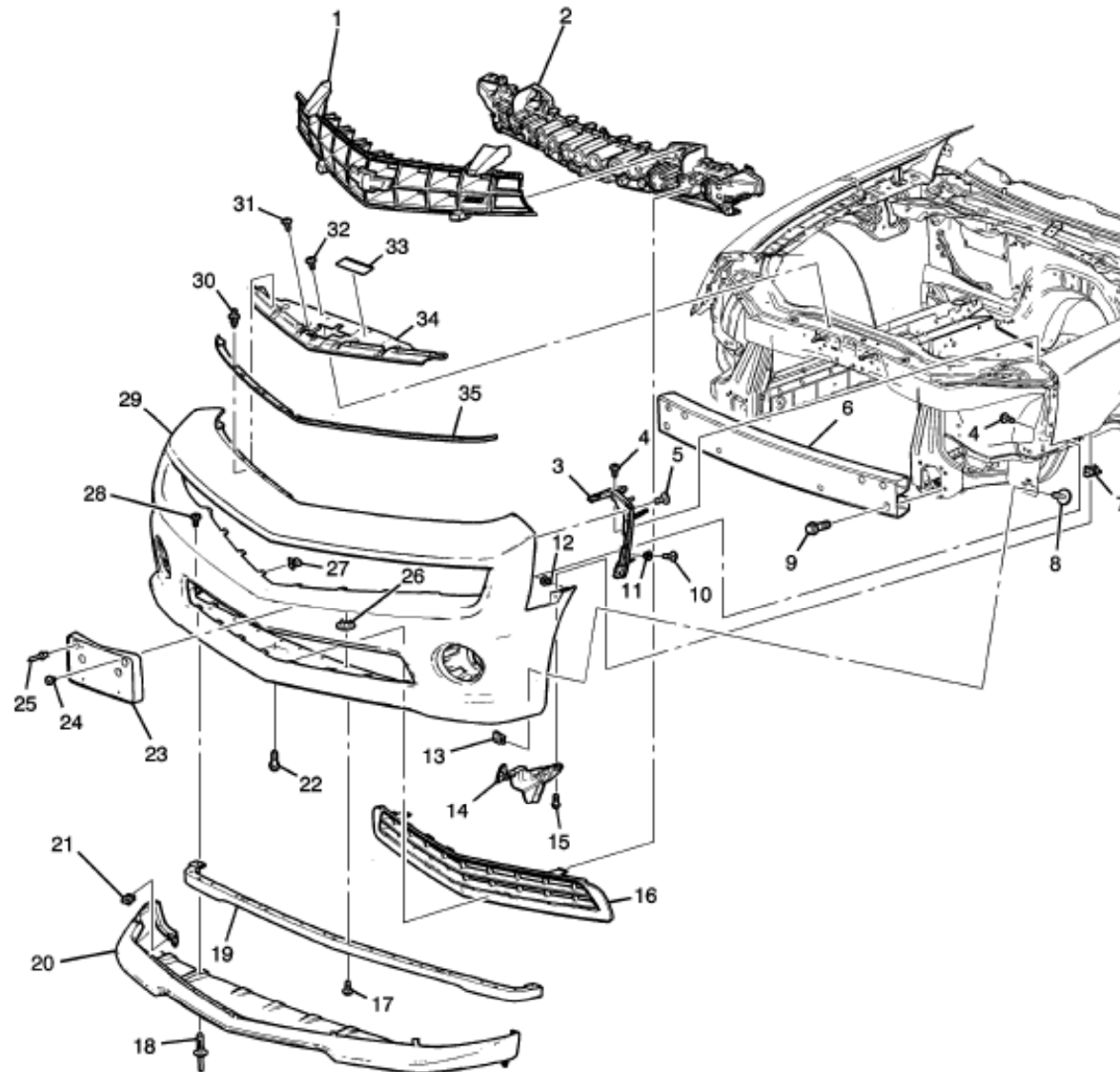


Courtesy of Camaro5.com

<u>COMPONENT</u>	<u>PAGE NUMBER</u>
■ Windshield	3-4
■ Front Fascia	5-6
■ Front Lamp	7-8
■ Front Suspension	9-10
■ Rear Glass	11-12
■ Rear Fascia	13-14
■ Rear Lamp	15-16
■ Rear Suspension	17-19
■ Rocker Moldings	20-21
■ Side Mirror	22-23
■ Instrument Panel	24-30
■ Center Console	31-32
■ Accelerator Pedal	33-34
■ Clutch Pedal	35-36
■ Brake Pedal	37-38
■ Engine/Transmission Mounts (Automatic)	39-40
■ Engine/Transmission Mounts(Manual)	41-42
■ Differential Mounting	43-44
■ Fuel System	45-48

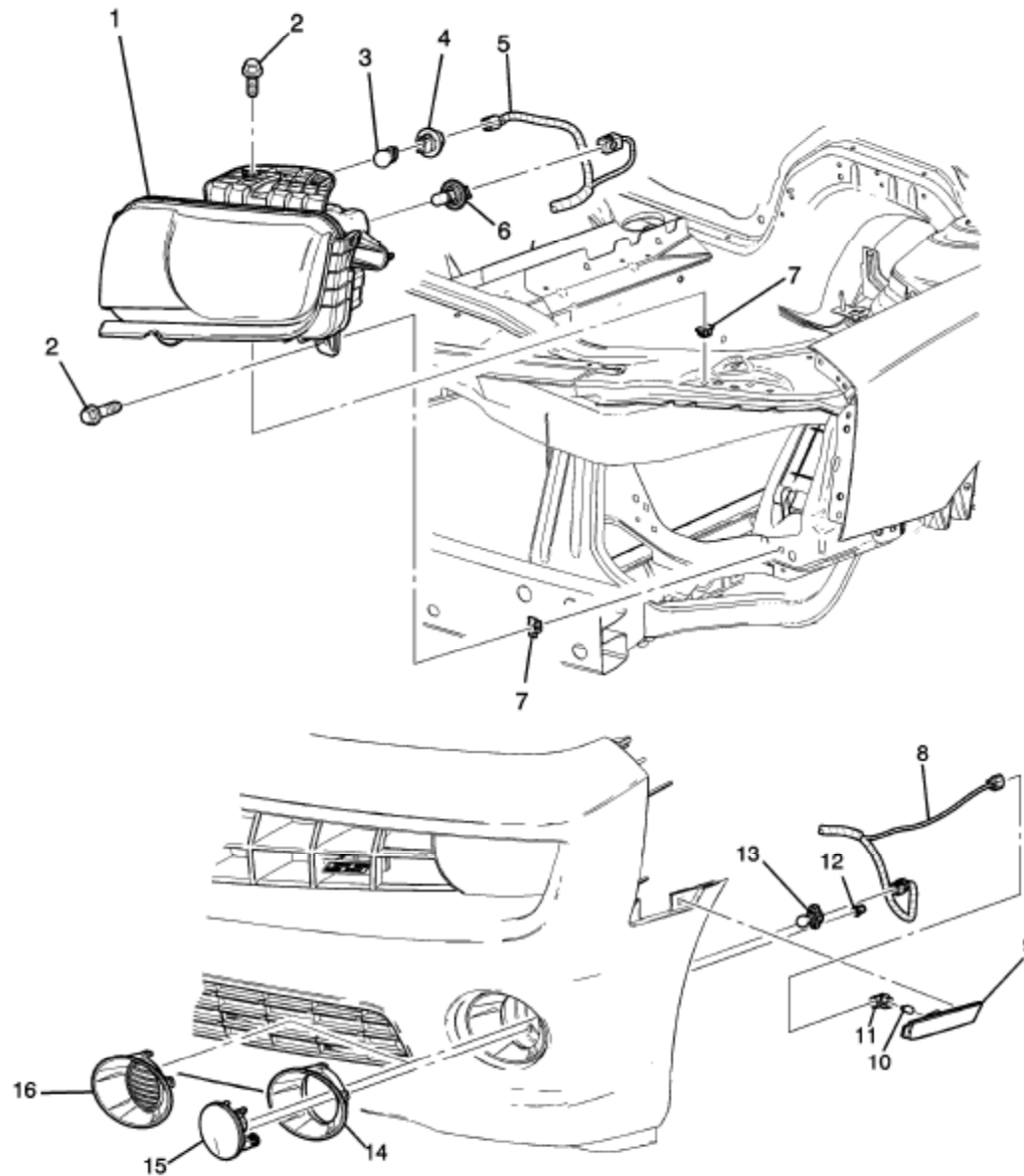


Call	Part Number	Group	Description	Usage	Qty	Hand
1	92219252	10.185	COVER, I/S RR VIEW MIR WRG HARN	E37	1	
2		13.09	HARNES, RF WRG (SEE GROUP 14.000 "ROOF HEADLINER" FOR DETAILED ILLUSTRATED VIEW)			
3	13503047	10.185	MIRROR, I/S RR VIEW (INCLS 4)	E37 (DD8)	1	
3	13503048	10.185	MIRROR, I/S RR VIEW (INCLS 4)	E37 (DBX)	1	
3	13503046	10.185	MIRROR, I/S RR VIEW (INCLS 4)	E37 (DBW)	1	
4	NS		BOLT, I/S RR VIEW MIR (PART OF 3)			
5	NS		MOLDING, W/S UPR RVL (PART OF 11)			
6	NS		PLATE, VIN (CONTACT APPROPRIATE AUTHORITY GOVERNING MOTOR VEHICLES FOR REPLACEMENT PROCESS)			
7	NS		RIVET, VIN PLATE			
8	NS		ADHESIVE, W/S			
9	NS		SEAL, W/S LWR FRM REINF (PART OF 11)			
10	NS		BRACKET, I/S RR VIEW MIR (PART OF 11)			
11	92221714	10.027	WINDSHIELD, (INCLS 5, 9, 10, 14)	E37 (EXC BTV)	1	
11	92221715	10.027	WINDSHIELD, (INCLS 5, 9, 10, 14)	E37 (BTV)	1	
12	92216814	10.485	COVER, R/CON DR LK RCVR ANT	EF, ES (BTV)	1	
13	13503205	10.485	RECEIVER, R/CON DR LK (LEAD FREE PART)	E37 (XL7)	1	
14	NS		BRACKET, R/CON DR LK RCVR (PART OF 11)			

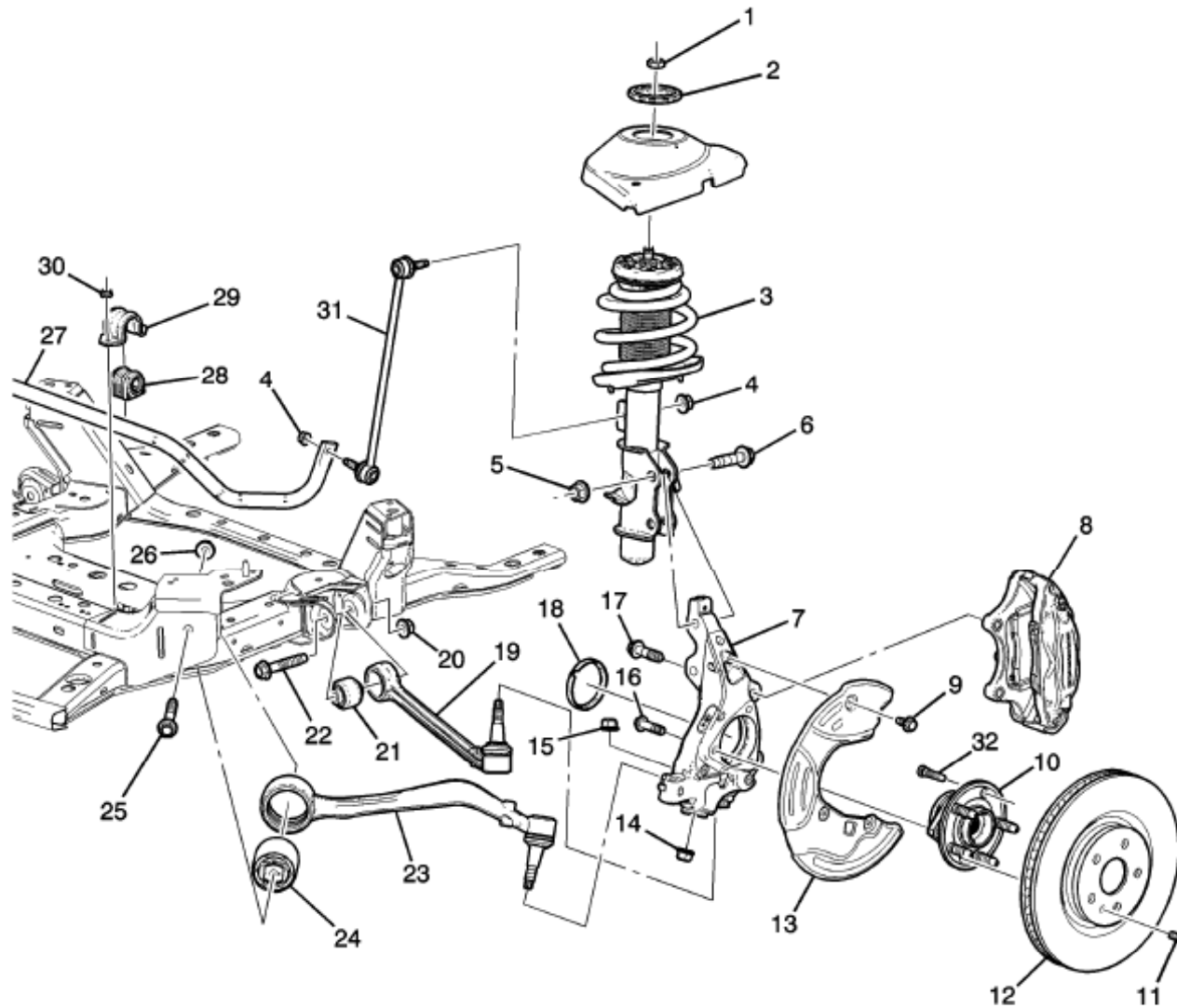


Courtesy of Camaro5.com

Call	Part Number	Group	Description	Usage	Qty
1	92231842	1.266	GRILLE, RAD (SEE GROUP 01.000 "GRILLE/RADIATOR" FOR DETAILED ILLUSTRATED VIEW) (BLACK) (LESS EMBLEMS)	E37	1
2	92194269	7.84	ABSORBER, FRT BPR FASCIA ENGY	E37	1
3	92238942	7.831	REINFORCEMENT, FRT BPR FASCIA (PART OF 29) (INCLS 11)	E37	1
3	92238943	7.831	REINFORCEMENT, FRT BPR FASCIA (PART OF 29) (INCLS 11)	E37	1
4	11610055	8.9	BOLT, HWASH, M6X1X23 (FRT BPR FASCIA)		4
5	92139150	7.831	RIVET, FRT BPR FASCIA (PART OF 29)	EE, EF37	10
6	92194266	7.831	BAR, FRT BPR IMP	E37	1
7	11518531	8.921	NUT, U-TYPE, M4.2X1.41, 15.9X8.4, .7-2.1 PNL, SAE 1050 STL, 7111M, 8.65 SQ HOL (FRT BPR UPR FASCIA) (10.512)		2
8	11570637	8.153	BOLT, FRT W/H LNR (12.182)	E37	10
9	11589407	8.9	BOLT, HWH, M8X1.25X35, 23.5 THD, 24 OD, 10.9, GMW3359, M-PT. (FRT BPR IMP BAR)		6
10	11610055	8.9	BOLT, HWASH, M6X1X23 (FRT BPR FASCIA RET)		6
11	NS		STUD, FRT BPR FASCIA REINF (PART OF 3, 29)		
12	92139151	7.831	NUT, FRT BPR FASCIA REINF (PART OF 14) (M6X1.0)	E37	3
13	11513599	8.921	NUT, U-TYPE, M4.2X1.41, 0.65-3.80 PNL THK, PZ (FRT BPR FASCIA)		4
14	92238940	7.831	REINFORCEMENT, FRT BPR FASCIA LWR (INCLS 12)	EE, EF37	1
14	92238939	7.831	REINFORCEMENT, FRT BPR FASCIA LWR (INCLS 12)	EE, EF37	1
15	11609465	8.9	BOLT, HWH, M4.2X1.41X18, 12.5 OD, 6010M, PS (FRT BPR FASCIA) (8.977)		2
16	92228228	1.266	GRILLE, RAD LWR (SEE GROUP 01.000 "GRILLE/RADIATOR" FOR DETAILED ILLUSTRATED VIEW) (BLACK)	EE, EF37	1
17	11610747	7.833	BOLT, FRT BPR FASCIA A/DFL (7.874)	E37	16
18	NS		RIVET, FRT BPR FASCIA (PART OF 20)		
19	92234403	7.833	DEFLECTOR, FRT BPR FASCIA AIR	EE, EF37	1
20		7.831	EXTENSION PKG, FRT BPR FASCIA (INCLS 18, 21, 28)		
21	NS		NUT, FRT BPR FASCIA (PART OF 20)		
22	11610055	8.9	BOLT, HWASH, M6X1X23 (FRT BPR LWR FASCIA)		2
23	92221893	7.8	BRACKET, FRT LIC PLT (BLACK)	EF, ES37 (VL4) (EXPORT)	1
23	92218025	7.8	BRACKET, FRT LIC PLT (BLACK)	E37	1
24	9423101	8.977	SCREW, TAP, M6.3X1.81X16, 14.55 O.D., 7114M, PZ0R (FRT LIC PLT)		4
25	11516807	8.967	RIVET, POP, 4.8 DIA, 19.9 LONG, 16 OD, 5-5.25 HOLE, 1-9 GRIP RANGE, AL, BLACK (FRT LIC PLT BRKT)		4
26	11610748	7.833	NUT, FRT BPR FASCIA A/DFL (7.874)	E37	16
27	16662182	1.269	RETAINER, RAD GRL (SLIDE ON) (0.63 SPRING STEEL) (10.056)	E37	
28	NS		BOLT, FRT BPR FASCIA (PART OF 20)		
29	92236548	7.831	FASCIA, FRT BPR (INCLS 3, 5, 11) (PAINT TO MATCH)	EE, EF37	1
30	11589289	8.95	RETAINER, PUSH-IN, FITS 6.5 HOLE, 2-4.5 THK PNL, NYLON 6/6 PER GMP.PA66.0 (FRT BPR UPR FASCIA (PUSH IN)		6
31	11609341	8.903	SCREW, RD WA HD 6-LOBE M6X1X19 (PART OF 34)		2
32	11610055	8.9	BOLT, HWASH, M6X1X23 (FRT BPR FASCIA UPR SUPT)		4
33	92230900	8.808	LABEL, A/C REFRIG WRNG	EE, EF, ES (CU7, CU8, CW2)	1
33	92234586	8.808	LABEL, A/C REFRIG WRNG	EE, EF, ES (EXC CU7, CU8, CW2)	1
34	92238009	7.833	SUPPORT, FRT BPR FASCIA UPR (INCLS 31)	EE, EF37	1
35	92238867	7.832	MOLDING, FRT BPR FASCIA BLACKOUT	E37	1
35	92238937	7.832	MOLDING, FRT BPR FASCIA BLACKOUT	E37	1

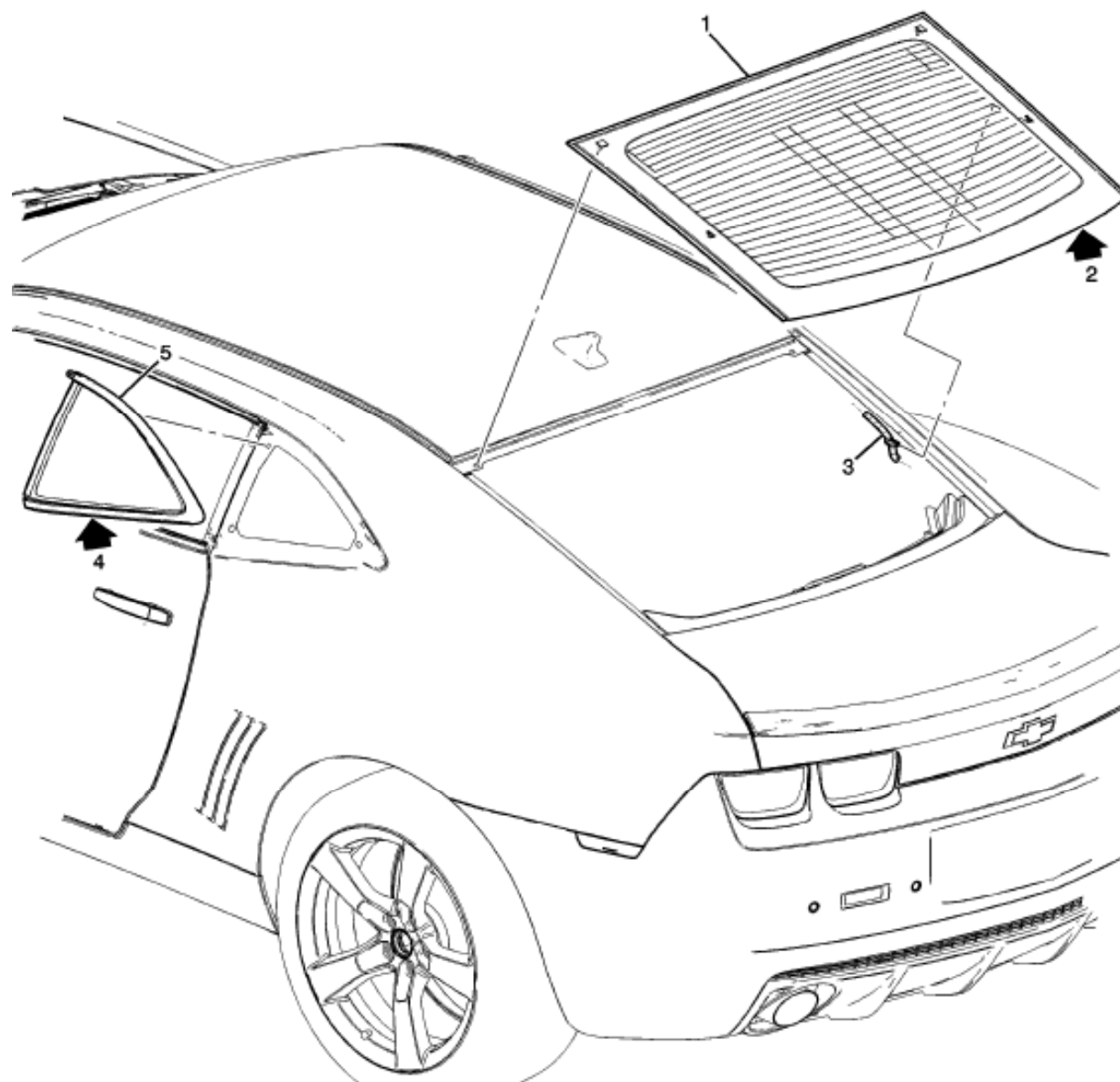


Call	Part Number	Group	Description	Usage	Qty	Hand
1	92232124	2.725	HEADLAMP, (INCLS 3, 4, 6) E	(TB8, T4A)	1	L
1	92232125	2.725	HEADLAMP, (INCLS 3, 4, 6) E	(TB8, T4A)	1	R
2	11570498	8.977	BOLT, HWH W/FL WA, M4.2X1.41X20, 11.4 THD, 17 OD, ISO 2702 STL , GMW4205, T (HDLP)		8	
3	15855631	2.88	BULB, PARK & T/SIG LP (PART OF 1) (TRADE #3457NAK-LCP)	E37	2	
4	92227778	2.596	SOCKET, PARK & T/SIG LP (PART OF 1)	E37 (NOT YET AVAILABLE)	2	
5		2.48	HARNESS, FWD LP WRG (SEE GROUP 02.000 "WIRING HARNESS/FRONT LAMPS" FOR DETAILED ILLUSTRATED VIEW)			
6	15203303	2.727	BULB, HDLP (PART OF 1) (TRADE H13)	E37 (T4A)	2	
7	11518531	8.921	NUT, U-TYPE, M4.2X1.41, 15.9X8.4, .7-2.1 PNL, SAE 1050 STL, 7111M, 8.65 SQ HOL (HDLP) (10.512)		8	
8	92197317	2.727	HARNESS, FRT FOG LP WRG	E37 (EXC WRS)	1	
9	92195241	2.575	LAMP, FRT SI MKR (INCLS 10, 11)	E37	1	L
9	92195240	2.575	LAMP, FRT SI MKR (INCLS 10, 11)	E37	1	R
10	9421330	8.991	BULB, TRADE#194, 12V, 2CP (PART OF 9)		2	
11	92237553	2.575	SOCKET, FRT SI MKR LP (PART OF 9)	EE, EF, ES37	1	
12	11570830	2.726	RETAINER, FRT FOG LP (PART OF 15)	EF, ES (EXC WRS)	6	
13	15839897	2.727	BULB, FRT FOG LP (PART OF 15)	EF, ES (EXC WRS)	2	
14	92218024	2.728	BEZEL, FRT FOG LP	EF, ES	1	R
14	92218023	2.728	BEZEL, FRT FOG LP	EE, EF, ES	1	L
15	15839896	2.725	LAMP, FRT FOG (INCLS 12, 13)	EF, ES (EXC WRS)	2	
16	92218021	7.831	COVER, FRT BPR IMP BAR FOG LP ACC HOLE (BLACK)	E37 (CV5)	1	L
16	92218022	7.831	COVER, FRT BPR IMP BAR FOG LP ACC HOLE (BLACK)	E37 (CV5)	1	R

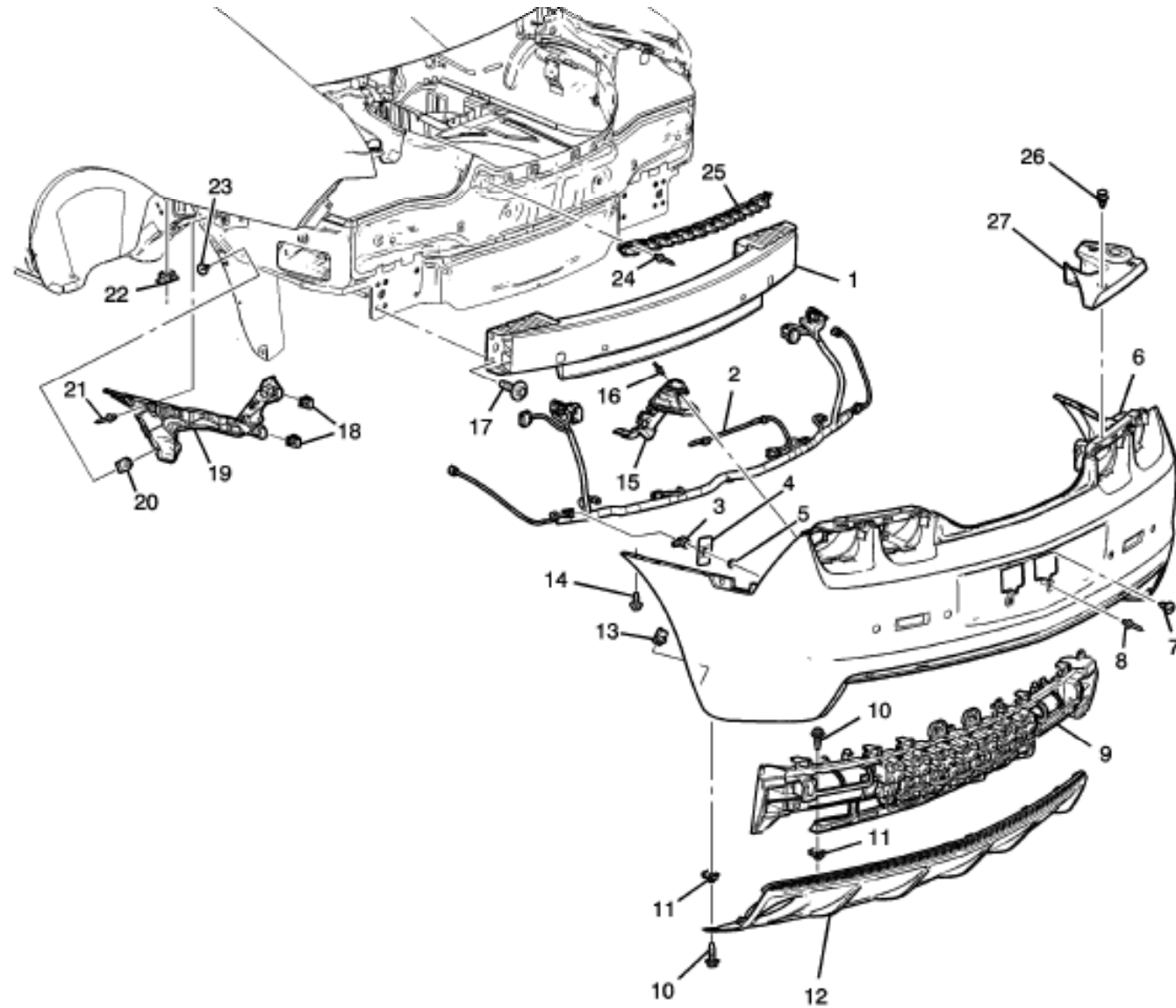


Courtesy of Camaro5.com

Call	Part Number	Group	Description	Usage	Qty	Hand
1	11569637	7.347	NUT, FRT SUSP STRUT MT (M14 X 1.5 HEX)	EE, EF, ES37	1	
2	13501349	7.395	PLATE, FRT SUSP MT	EE, EF, ES	2	
3	NS		STRUT, FRT SUSP (W/SPR) (SEE GROUP 06.000 "STRUT ASM")			
4	11517996	8.917	NUT, HFH, M10X1.5, 11.2THK, 21.5 O.D., 7111M (FRT STAB SHF LINK (AT SHF))		4	
5	11516383	8.917	NUT, HFH LK 16X2X18.9 34.2 OD 10 7111M PREV TORQ (FRT SUSP STRUT MT)		2	
6	11589370	8.9	BOLT, HFH, M16X2X77.35, 60 THD, 35 OD, 10.9, GMW3359, M-PT. (FRT SUSP STRUT)		2	
7	92233625	6.02	KNUCKLE, STRG	E37	1	L
7	92233626	6.02	KNUCKLE, STRG	E37	1	R
8	13279640	4.665	CALIPER, FRT BRK (W/O BRK PADS & BRKT) (SEE GROUP 04.000 "BRAKE CALIPER/FRONT" FOR DETAILED ILLUSTRATED VIEW)	EE, EF37 (LLT)	1	R
8	92233189	4.665	CALIPER, FRT BRK (W/O BRK PADS & BRKT) (SEE GROUP 04.000 "BRAKE CALIPER/FRONT" FOR DETAILED ILLUSTRATED VIEW) (LESS PINS/CLIP)	ES37 (LS3, L99)	1	L
8	92233188	4.665	CALIPER, FRT BRK (W/O BRK PADS & BRKT) (SEE GROUP 04.000 "BRAKE CALIPER/FRONT" FOR DETAILED ILLUSTRATED VIEW) (LESS PINS/CLIP)	ES37 (LS3, L99)	1	R
8	13279641	4.665	CALIPER, FRT BRK (W/O BRK PADS & BRKT) (SEE GROUP 04.000 "BRAKE CALIPER/FRONT" FOR DETAILED ILLUSTRATED VIEW)	EE, EF37 (LLT)	1	L
9	11588711	8.9	BOLT, HFH, M6X1X16, 10 THD, 14.2 OD, 8.8 STL, GMW3359 (FRT BRK SHLD)		3	
10	13502216	6.307	HUB, FRT WHL (W/BRG) (INCLS 32) (W/O SENSOR) (5.806)	E37 (LLT, LS3, L99)	2	
11	11570339	8.9	SCREW, FLAT CS, M6X1X20, 12.3 OD, 14.2 THD, GMW25 (8.8), GMW3044, T-30, HDR-P (FRT BRK ROT) (8.908)		1	
12	13501320	5.809	ROTOR, FRT BRK	EE, EF, ES37 (LLT)	2	
12	92245928	5.809	ROTOR, FRT BRK	EE, EF, ES37 (LS3, L99)	2	
12	92213817	5.809	ROTOR, FRT BRK	E (LS3, L99)	2	
13	92199929	5.002	SHIELD, FRT BRK	E	1	L
13	92199930	5.002	SHIELD, FRT BRK	E	1	R
14	11516382	8.917	NUT, HFH LK M14X2X15, 28 OD 10 7111M (FRT LWR CONT ARM FRT)		1	
15	11516382	8.917	NUT, HFH LK M14X2X15, 28 OD 10 7111M (FRT LWR CONT ARM RR)		1	
16	92139142	5.812	BOLT, FRT WHL HUB (M12X1.75X51) (HEAVY HFH)	E	6	
17	11570788	4.665	BOLT, FRT BRK CLPR (M14X2.0X56.5)	E (LS3, L99)	4	
18	92199863	6.323	SHIELD, FRT WHL BRG DUST	EE, EF, ES (LLT, LS3, L99)	1	
19	92195441	6.168	ARM, FRT LWR CONT RR (INCLS 21)	EE, EF, ES	1	L
19	92195442	6.168	ARM, FRT LWR CONT RR (INCLS 21)	EE, EF, ES	1	R
20	11516382	8.917	NUT, HFH LK M14X2X15, 28 OD 10 7111M (FRT LWR CONT ARM RR)		1	
21	NS	6.17	BUSHING, FRT LWR CONT ARM RR (PART OF 19)			
22	92139061	6.172	BOLT, FRT LWR CONT ARM (CAM TYPE) (5.416)	EE, EF, ES	2	
23	92236899	6.168	ARM, FRT LWR CONT FRT (INCLS 24)	E37	1	L
23	92236898	6.168	ARM, FRT LWR CONT FRT (INCLS 24)	E37	1	R
24	NS		BUSHING, FRT LWR CONT ARM FRT (PART OF 23)			
25	11562580	6.174	BOLT, FRT LWR CONT ARM FRT (HFH, M14X2X110, 48 THD, 35.0 OD, 10.9) (NON-POINTED POINT)	EE, EF, ES	2	
26	11516382	8.917	NUT, HFH LK M14X2X15, 28 OD 10 7111M (FRT LWR CONT ARM FRT)		1	
27	92233404	7.241	SHAFT, FRT STAB	E37 (LS3, L99) (EXC TR7)	1	
27	92233403	7.241	SHAFT, FRT STAB	E (LLT)	1	
28	92199900	7.243	BUSHING, RR STAB SHF E 2010-2010 02 4F 0060B			
29	92195494	7.242	CLAMP, FRT STAB SHF INSL	ES37 (TR7)	1	
29	92195494	7.242	CLAMP, FRT STAB SHF INSL	E37 (LLT)	1	
30	11516076	8.917	NUT, PREVAILING TORQUE TENSION FLG HD (M8X1.25X17.4 OD (FRT STAB SHF CLA)		4	
31	92205111	7.24	LINK, FRT STAB SHF	E37	1	L
31	92205112	7.24	LINK, FRT STAB SHF	E37	1	R
32	11588811	5.812	STUD, FRT WHL (PART OF 10) (M14X1.5X24, 58 TOTAL LENGTH)	EE, EF, ES	10	

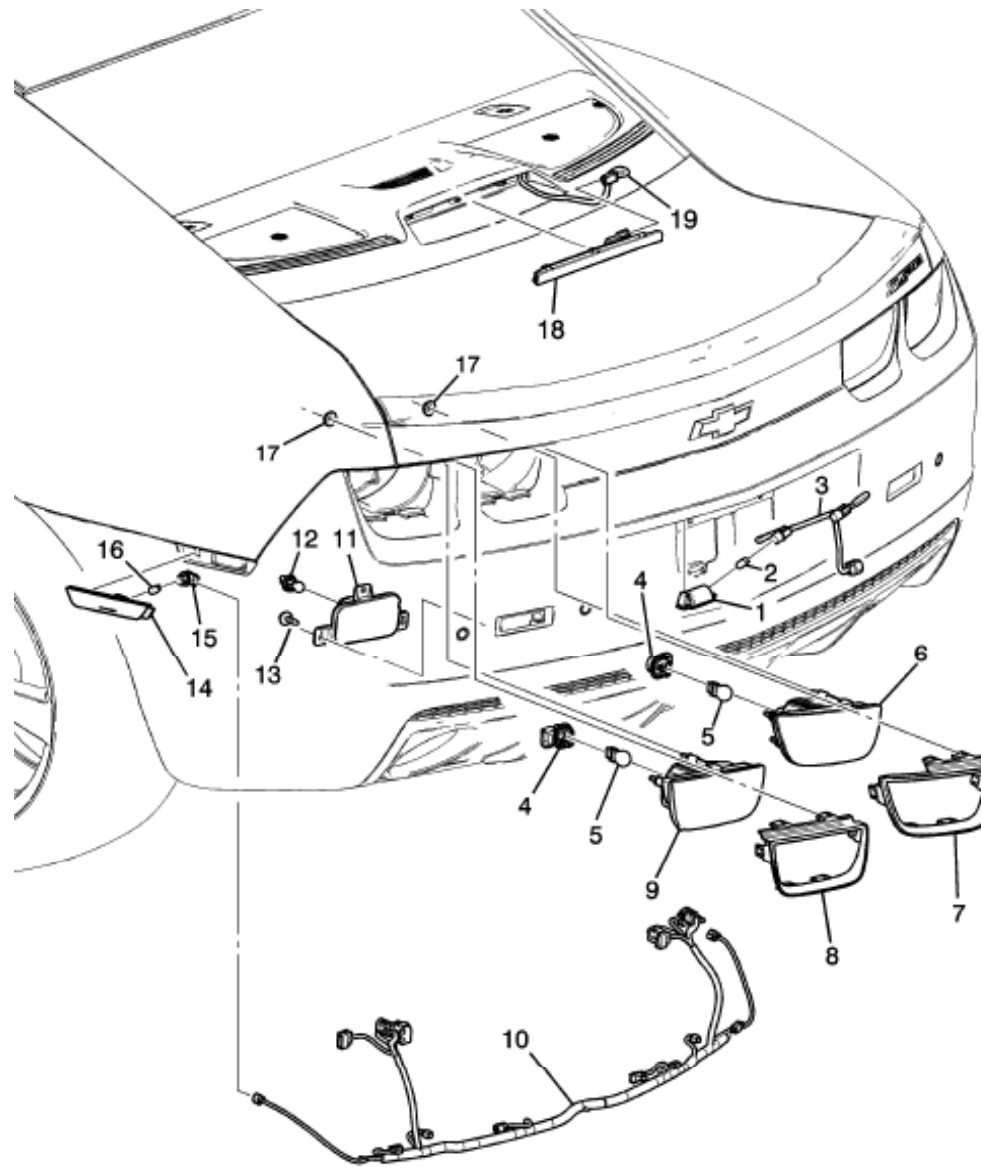


Call	Part Number	Group	Description	Usage	Qty	Hand
1	92221719	11.204	WINDOW, RR (W/O LOWER REVEAL MOLDING) (ORDER T/W LOWER MLDG 92245630)	E37	1	
1	92243113	11.204	WINDOW, RR (W/LOWER REVEAL MOLDING)	E37	1	
2	NS		ADHESIVE, R/WDO			
3	92241091	13.09	HARNESS, BODY WRG (SEE GROUP 13.000 "WIRING HARNESS/BODY" FOR DETAILED ILLUSTRATED VIEW)	E37 (LHD, UQ3) (EXC UD7)	1	
4	NS		ADHESIVE, Q/WDO			
5	92221730	11.011	WINDOW, QTR	E37	1	R
5	92221729	11.011	WINDOW, QTR	E37	1	L



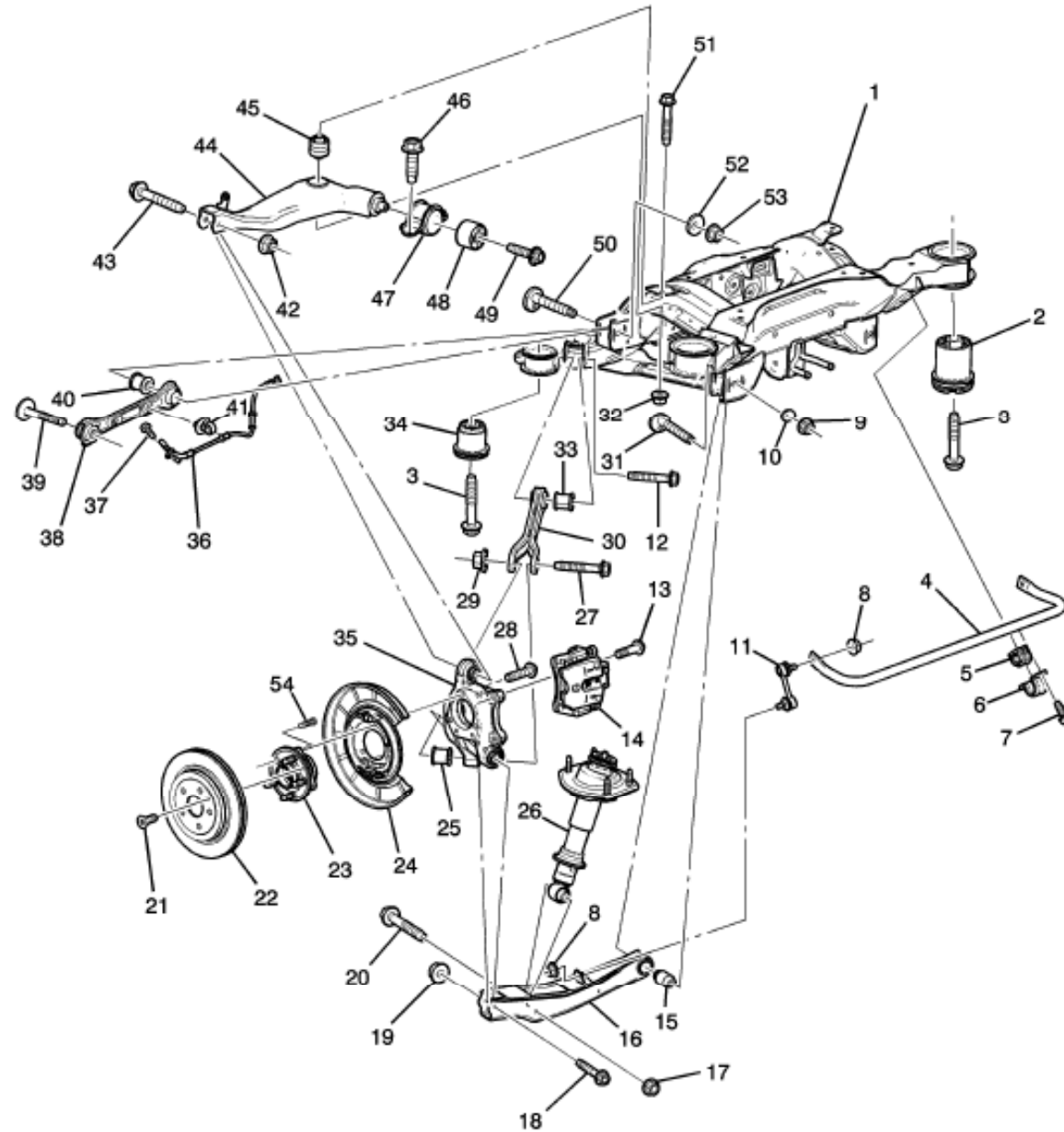
Courtesy of Camaro5.com

Call	Part Number	Group	Description	Usage	Qty	Hand
1	92194304	7.831	BAR, RR BPR IMP	E37	1	
2		2.694	HARNESSE, RR LP WRG			
3	92229605	7.831	SENSOR KIT, RR OBJECT (INCLS 5) (SEE GROUP 02.000 "LAMPS/REAR" FOR DETAILED ILLUSTRATED VIEW)	E37 (UD7)	1	
3	92229605	2.195	SENSOR KIT, RR OBJECT (INCLS 5) (SEE GROUP 02.000 "LAMPS/REAR" FOR DETAILED ILLUSTRATED VIEW) (7.831)	E37 (UD7)	1	
4	NS		BRACKET, RR BPR FASCIA CTR (PART OF 6)	(UD7)		
5	NS		RING, RR OBJECT SEN (PART OF 3)			
6	92232169	7.831	FASCIA PKG, RR BPR (INCLS 4, 15, 16)	E37 (UD7)	1	
6	92232167	7.831	FASCIA PKG, RR BPR (INCLS 15, 16)	E37 (EXC UD7)	1	
7	9423101	8.977	SCREW, TAP, M6.3X1.81X16, 14.55 O.D., 7114M, PZOR (FRT LIC PLT)		4	
8	11516807	8.967	RIVET, POP, 4.8 DIA, 19.9 LONG, 16 OD, 5-5.25 HOLE, 1-9 GRIP RANGE, AL, BLACK (FRT LIC PLT BRKT)		4	
9	92194305	7.84	ABSORBER, RR BPR FASCIA ENGY	E37	1	
10	11589015	8.977	BOLT, HWH W/FL WA M4.2X1.41X20, 12.5 O.D., DOG PT, 6010M, 7253M (RR BPR FASCIA)		6	
11	11513599	8.921	NUT, U-TYPE, M4.2X1.41, 0.65-3.80 PNL THK, PZ (RR BPR LWR FASCIA BRKT)		6	
12	92218169	7.832	MOLDING, RR BPR FASCIA (BLACK)	ES37	1	
12	92218168	7.832	MOLDING, RR BPR FASCIA (BLACK)	EE, EF37	1	
13	11513599	8.921	NUT, U-TYPE, M4.2X1.41, 0.65-3.80 PNL THK, PZ (RR W/H PNL LNR)		4	
14	11609465	8.9	BOLT, HWH, M4.2X1.41X18, 12.5 OD, 6010M, PS (RR BPR FASCIA GDE) (8.977)		2	
15	92238774	7.831	REINFORCEMENT, RR BPR FASCIA (PART OF 6)	E37	1	L
15	92238775	7.831	REINFORCEMENT, RR BPR FASCIA (PART OF 6)	E37	1	R
16	9132667	7.832	RIVET, RR BPR FASCIA MLDG (PART OF 6) (7.833)	E37	10	
17	11589407	8.9	BOLT, HWH, M8X1.25X35, 23.5 THD, 24 OD, 10.9, GMW3359, M-PT. (RR BPR IMP BAR)		6	
18	92223721	7.831	RETAINER, RR BPR FASCIA REINF (PUSH IN) (PART OF 19)	E37	2	
19	92238664	7.833	GUIDE, RR BPR FASCIA (INCLS 18, 20)	E37	1	R
19	92238663	7.833	GUIDE, RR BPR FASCIA (INCLS 18, 20)	E37	1	L
20	11513599	8.921	NUT, U-TYPE, M4.2X1.41, 0.65-3.80 PNL THK, PZ (PART OF 19)		1	
21	9132667	7.833	RIVET, RR BPR FASCIA GDE (GUIDE RAILS)	E37	8	
22	11518531	8.921	NUT, U-TYPE, M4.2X1.41, 15.9X8.4, .7-2.1 PNL, SAE 1050 STL, 7111M, 8.65 SQ HOL (RR BPR FASCIA GDE) (10.512)		2	
23	11570637	12.944	BOLT, RR W/H PNL LNR (12.182)	E37	10	
24	9132667	7.833	RIVET, RR BPR FASCIA SUPT (CENTER SUPPORT)	E37	5	
25	92237347	7.831	SUPPORT, RR BPR FASCIA	E37	1	
26	11589293	8.95	RETAINER, PUSH-IN, FITS 8.5 DIA HOLE, 4.5-7 THK PNL, NYLON 6/6 GMP.PA66.0 (T/LP BZL (PUSH IN))		6	
27	92236772	2.66	FILLER, T/LP CLOSEOUT	E37	1	L
27	92236771	2.66	FILLER, T/LP CLOSEOUT	E37	1	R



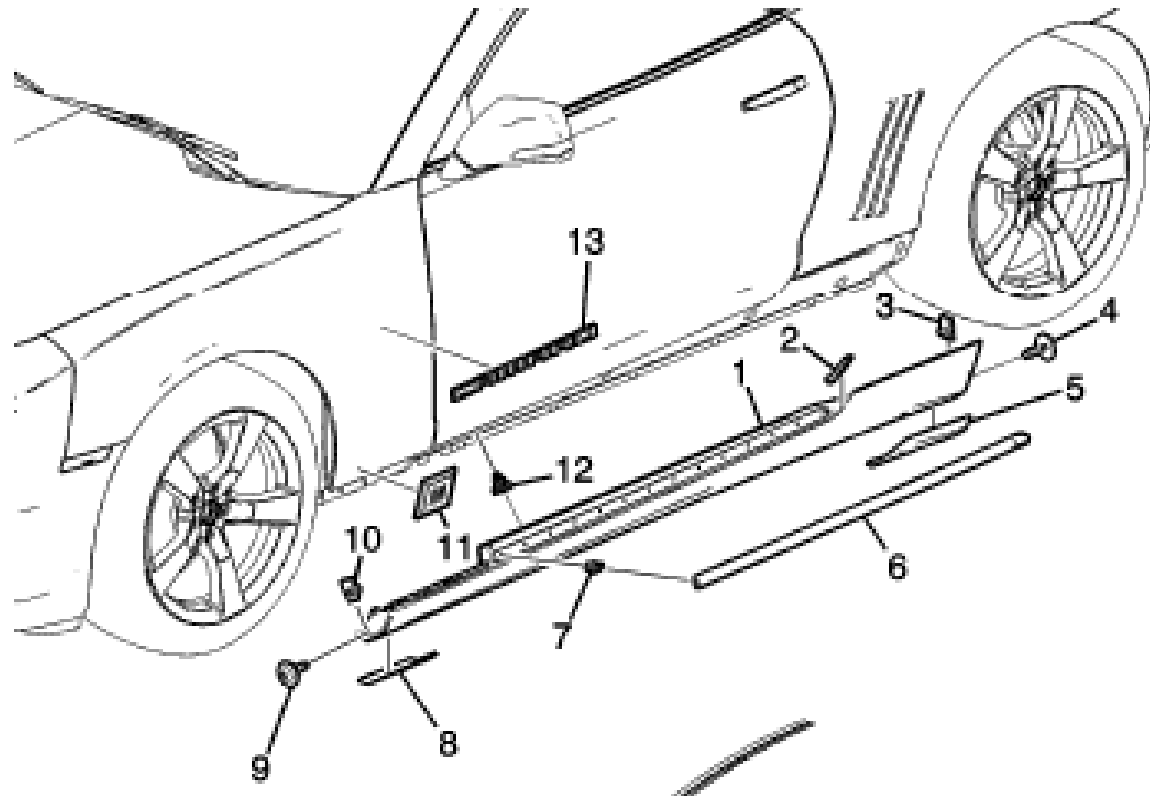
Courtesy of Camaro5.com

Call	Part Number	Group	Description	Usage	Qty	Hand
1	92212896	2.7	LAMP, RR LIC PLT (INCLS 2, 3)	E37	1	
2	13500812	2.7	BULB, RR LIC PLT LP (PART OF 1)	E37	1	
3	NS		WIRE, RR LIC PLT LP (PART OF 1)			
4	92227810	2.694	SOCKET, RR T/SIG LP & STOP & T/LP (PART OF 6, 9) (2.892)	E37 (NOT YET AVAILABLE)	1	
5	13502322	8.991	BULB, TRADE 3157K (PART OF 6, 9)		2	
6	92212646	2.679	LAMP, TAIL (INCLS 4, 5) (INNER)	E (EXC WRS)	1	L
6	92212645	2.679	LAMP, TAIL (INCLS 4, 5) (INNER)	E37 (EXC WRS)	1	R
7	92226742	2.681	BEZEL, T/LP (INNER)	E37	1	R
7	92226740	2.681	BEZEL, T/LP (INNER)	E37	1	L
8	92226741	2.681	BEZEL, T/LP (OUTER)	E37	1	R
8	92226739	2.681	BEZEL, T/LP (OUTER)	E37	1	L
9	92195243	2.679	LAMP, TAIL (INCLS 4, 5) (OUTER)	E (EXC WRS)	1	L
9	92195242	2.679	LAMP, TAIL (INCLS 4, 5) (OUTER)	E (EXC WRS)	1	R
10		2.694	HARNESS, RR LP WRG			
11	92212643	2.697	LAMP, B/U (INCLS 12)	E	1	L
11	92212644	2.697	LAMP, B/U (INCLS 12)	E	1	R
12	15782706	2.697	BULB, B/U LP (PART OF 11) (CLEAR) (#15782706)	E	1	
13	11589015	8.977	BOLT, HWH W/FL WA M4.2X1.41X20, 12.5 O.D., DOG PT, 6010M, 7253M (RR BPR FASCIA)		6	
14	92195247	2.575	LAMP, RR SI MKR (INCLS 15, 16)	E37	1	R
14	92195248	2.575	LAMP, RR SI MKR (INCLS 15, 16)	E37	1	L
15	92237553	2.575	SOCKET, RR SI MKR LP (PART OF 14)	E37	1	
16	9421330	8.991	BULB, TRADE#194, 12V, 2CP (PART OF 14) (#L194)		2	
17	11609411	8.917	NUT, HEX W/CON WA, M6X1, 5.7 THK, 16 OD, 9, GMW3200 (T/LP)		12	
18	92208315	2.679	LAMP, HIGH MT STOP	E37	1	
19	92208314	2.48	HARNESS, ACSRY WRG	E37	1	



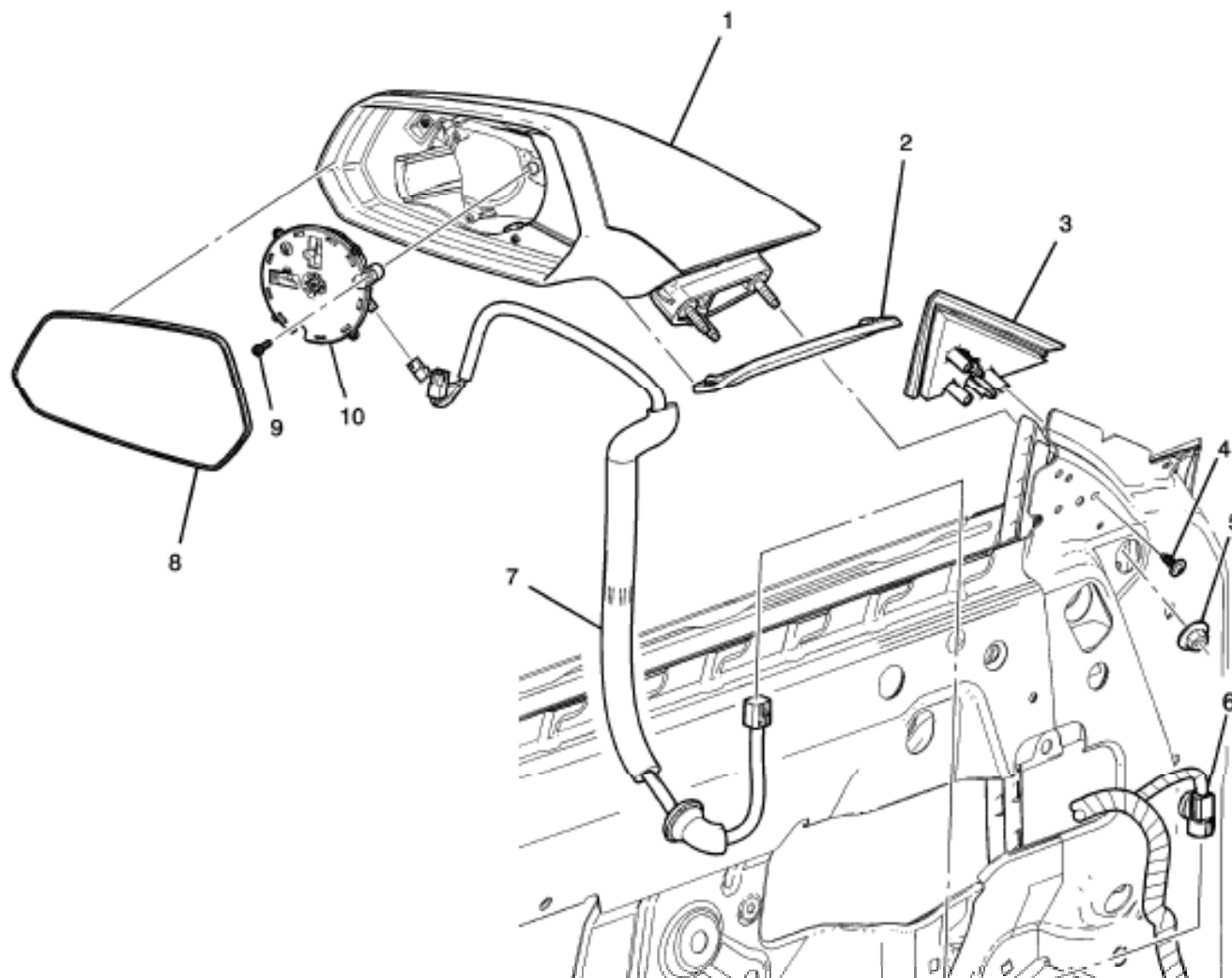
Call	Part Number	Group	Description	Usage	Qty	Hand
1	92228802	5.806	SUPPORT, RR SUSP (INCLS 2, 34)	EE, EF, ES37	1	
2	NS		BUSHING, RR SUSP SUPT (PART OF 1)	2010-2010		
3	11589375	5.383	BOLT, RR SUSP SUPT (M16X2X127) (8.900)	E37	4	
4	92205109	7.241	SHAFT, RR STAB	ES	1	
4	92207256	7.241	SHAFT, RR STAB	EE, EF	1	
5	92199900	7.243	BUSHING, RR STAB SHF	E	2	
6	92227775	7.242	CLAMP, RR STAB SHF INSL	EE, EF, ES	2	
7	11588723	8.9	BOLT, HFH, M8X1.25X25, 18 THD, 18 OD, 8.8 STL, GMW3359, M-PT (RR STAB SHF BRKT)		4	
8	11517996	8.917	NUT, HFH, M10X1.5, 11.2THK, 21.5 O.D., 7111M (RR STAB SHF BRKT)		4	
9	11516382	5.383	NUT, RR SUSP LWR CONT ARM (M14X2X15) (W/O J CLIP RETAINER) (8.917)	EE, EF, ES	2	
10	9213908	7 05.383	WASHER, RR SUSP LWR CONT ARM	EE, EF, ES	2	
11	9223233	9 07.240	LINK, RR STAB SHF	EE, EF, ES	2	
12	9213887	6 05.383	BOLT, RR SUSP TRAILING ARM	EE, EF, ES	2	
13	9213914	2 04.665	BOLT, RR BRK CLPR (M12X1.75X51) (HEAVY HFH) (5.812)	E37 (LLT)	4	
13	1151578	1 04.665	BOLT, RR BRK CLPR (M12X1.75X60, 30 THD) (8.900)	E (LS3, L99)	4	
14		4.665	CALIPER, RR BRK (SEE GROUP 04.000 "BRAKE CALIPER/REAR" FOR DETAILED ILLUSTRATED VIEW)			
15	92214165	5.381	BUSHING, RR SUSP LWR CONT ARM (PART OF 16)	EE, EF, ES	2	
16	92231068	5.382	ARM, RR SUSP LWR CONT (INCLS 15)	EE, EF, ES	2	
17	11516382	8.917	NUT, HFH LK M14X2X15, 28 OD 10 7111M (RR S/ABS (LWR))		2	
18	11589279	5.383	BOLT, RR SUSP LWR CONT ARM (M12X1.75X85.9) (8.900)	EE, EF, ES	2	
19	11516078	5.383	NUT, RR SUSP LWR CONT ARM (M12X1.75X18) (8.917)	EE, EF, ES	2	
20	11561300	8.9	BOLT, HFH, M14X2X101, 48 THD, 30.5 OD, 10.9, GMW3359, M-PT (RR S/ABS LWR BRKT)		2	
21	11570339	5.812	BOLT, RR BRK ROT (M6X1X20, 12.3 OD) (14.2 THD) (8.908)	EE, EF, ES	1	
22	25851166	5.809	ROTOR, RR BRK	E (LS3, L99)	2	
22	92245929	5.809	ROTOR, RR BRK	EE, EF, ES37 (LS3, L99)	2	
22	13501315	5.809	ROTOR, RR BRK	E (LLT, MV5, MYB)	2	
23	13500401	5.806	HUB, RR WHL (W/ BRG) (INCLS 54)	E (LS3, L99)	2	
23	13500401	5.806	HUB, RR WHL (W/ BRG) (INCLS 54)	EE, EF, ES (LLT, MV5)	2	
23	13502216	5.806	HUB, RR WHL (W/ BRG) (INCLS 54) (W/O SENSOR)	E37 (LLT, MYB)	2	
24		4.591	BRAKE, PARK (SEE GROUP 04.000 "PARKING BRAKE ASM" FOR DETAILED ILLUSTRATED VIEW)			
25	92202986	5.381	BUSHING, RR SUSP CONT ARM (PART OF 35)	EE, EF, ES (LLT, MYB)	1	
26		7.345	ABSORBER, RR SHK (W/ SHLD) (SEE GROUP 07.000 "ABSORBER/REAR SHOCK" FOR DETAILED ILLUSTRATED VIEW)			

Call	Part Number	Group	Description	Usage	Qty	Hand
27	11589279	5.383	BOLT, RR SUSP TRAILING ARM (M12X1.75X85.9) (8.900)	EE, EF, ES	2	
28	92139072	5.816	BOLT, RR WHL HUB	EE, EF, ES (LLT, MV5, MYB)	6	
28	92139072	5.816	BOLT, RR WHL HUB	E (LS3, L99)	6	
29	11516078	5.38	NUT, RR SUSP TRAILING ARM (M12X1.75X18) (8.917)	EE, EF, ES37	2	
30	92236929	5.382	ARM, RR SUSP TRAILING (INCLS 33)	EE, EF, ES	2	
31	92139086	5.383	BOLT, RR SUSP LWR CONT ARM	EE, EF, ES	2	
32	11516382	5.383	NUT, RR SUSP UPR CONT ARM (M14X2X15) (W/O J CLIP RETAINER) (8.917)	EE, EF, ES	2	
33	92202986	5.381	BUSHING, RR SUSP TRAILING ARM (PART OF 30)	EE, EF, ES	1	
34	NS		BUSHING, RR SUSP SUPT (PART OF 1)			
35	92239046	5.806	KNUCKLE, RR SUSP (INCLS 25)	EE, EF, ES	1	R
35	92239045	5.806	KNUCKLE, RR SUSP (INCLS 25)	EE, EF, ES	1	L
36	92199862	4.71	SENSOR, RR WHL SPD (INCLS 41)	E	2	
37	11588712	8.9	BOLT, HFH, M6X1X20, 17.5 THD, 14.2 O.D., 8.8, GMW3359 (RR WHL SPD SEN)		2	
38	92225625	5.416	LINK, RR SUSP ADJ (INCLS 40)	EE, EF, ES (FE3)	2	
38	92195504	5.416	LINK, RR SUSP ADJ (INCLS 40)	EE, EF, ES (FE2) (EXC WRS)	2	
38	92225625	5.416	LINK, RR SUSP ADJ (INCLS 40)	EE, EF, ES (FE2, WRS)	2	
39	92139062	5.416	BOLT, RR SUSP LINK ADJ	E	2	
40	92214168	5.416	BUSHING, RR SUSP ADJ LINK (PART OF 38)	EE, EF, ES (FE2) (EXC WRS)	2	
41	92227576	4.72	CLIP, RR WHL SPD SEN WIRE (PART OF 36)	E	2	
42	11516078	5.383	NUT, RR SUSP UPR CONT ARM (M12X1.75X18) (8.917)	EE, EF, ES	2	
43	11589279	5.383	BOLT, RR SUSP UPR CONT ARM (M12X1.75X85.9) (8.900)	EE, EF, ES	2	
44	92236926	5.382	ARM, RR SUSP UPR CONT (INCLS 45, 47-49)	EE, EF, ES	1	R
44	92236925	5.382	ARM, RR SUSP UPR CONT (INCLS 45, 47-49)	EE, EF, ES	1	L
45	NS		JOINT, RR SUSP UPR CONT ARM BALL (PART OF 44)			
46	92139140	5.383	BOLT, RR SUSP UPR CONT ARM	EE, EF, ES37	4	
47	NS		RETAINER, RR SUSP UPR CONT ARM BUSH (PART OF 44, 48)			
48	92214164	5.381	BUSHING, RR SUSP UPR CONT ARM (PART OF 44) (INCLS 47)	EE, EF, ES	1	R
48	92214163	5.381	BUSHING, RR SUSP UPR CONT ARM (PART OF 44) (INCLS 47)	EE, EF, ES	1	L
49	92138935	5.383	BOLT, RR SUSP UPR CONT ARM (PART OF 44)	E	2	
50	92139085	5.416	BOLT, RR SUSP ADJ LINK	EE, EF, ES	2	
51	11589358	5.383	BOLT, RR SUSP UPR CONT ARM (M14X2.0X90)	EE, EF, ES	2	
52	92139087	5.416	WASHER, RR SUSP ADJ LINK (5.383)	EE, EF, ES	2	
53	11516382	5.416	NUT, RR SUSP ADJ LINK (M14X2X15) (W/O J CLIP RETAINER) (8.917)	EE, EF, ES37	2	
54	11588811	5.812	STUD, RR WHL (PART OF 23) (M14X1.5X24, 58 TOTAL LENGTH)	EE, EF, ES	10	



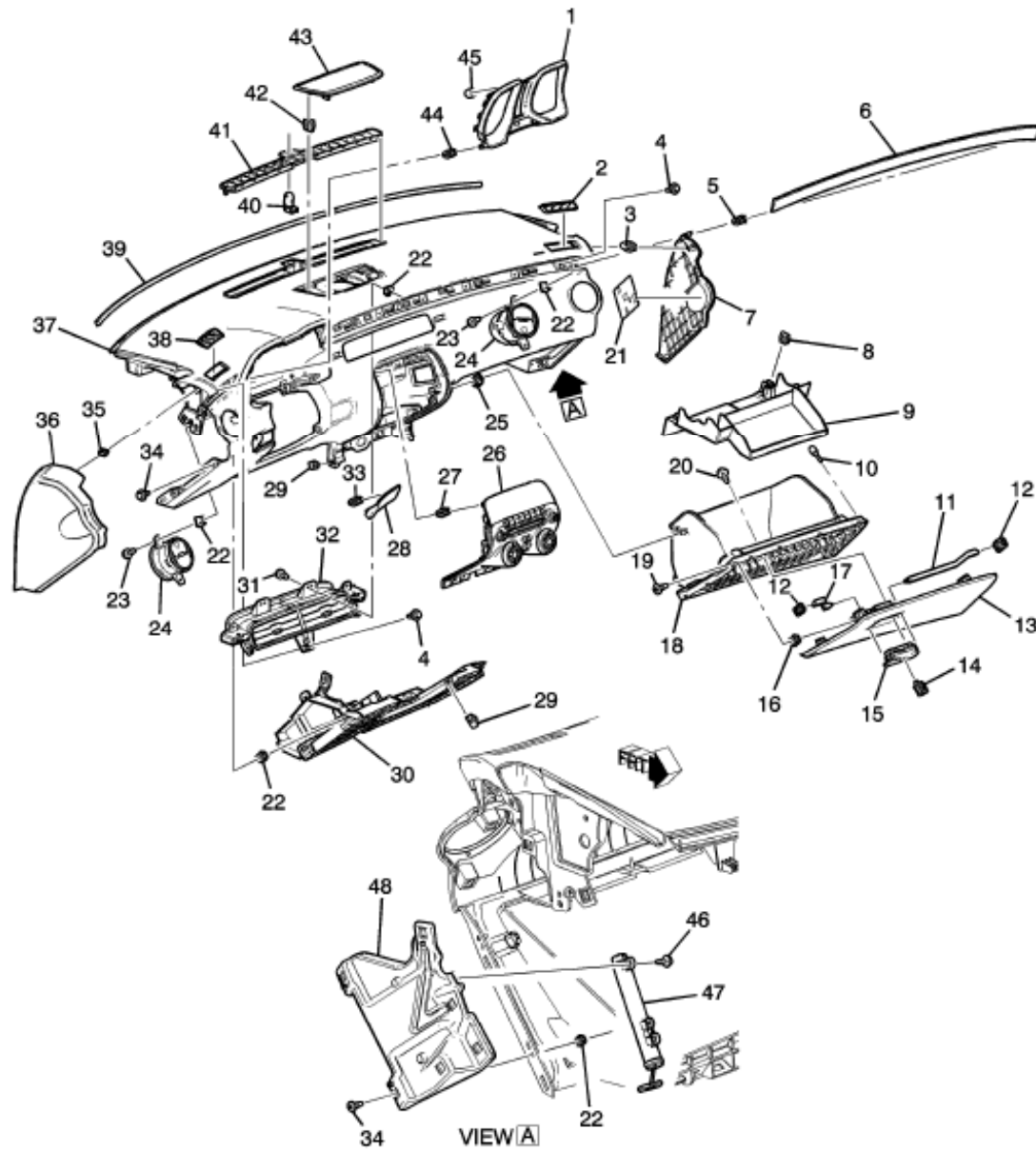
Courtesy of Camaro5.com

Call	Part Number	Group	Description	Usage	Qty	Hand
1	92239584	8.304	MOLDING, RKR PNL (INCLS 3, 6, 7, 10, 11) (PAINT TO MATCH) (USE ON VEH BUILT 3/16/09 & AFTER) (FOR 1ST DES SEE 92225382)	E37 (2ND DES)	1	L
1	92239586	8.304	MOLDING, RKR PNL (INCLS 3, 6, 7, 10, 11) (PAINT TO MATCH) (USE ON VEH BUILT 3/16/09 & AFTER) (FOR 1ST DES SEE 92225384)	E37 (2ND DES)	1	R
2	92232021	8.304	PROTECTOR, RKR PNL RR MLDG (DOGLEG RADIUS)	E	1	R
2	92232020	8.304	PROTECTOR, RKR PNL RR MLDG (DOGLEG RADIUS)	E	1	L
3	11513599	8.921	NUT, U-TYPE, M4.2X1.41, 0.65-3.80 PNL THK, PZ (PART OF 1)		1	
4	11570637	12.944	BOLT, RR W/H PNL LNR (12.182)	E37	10	
5	92232022	8.304	PROTECTOR, RKR PNL RR MLDG (REAR)	E	1	L
5	92232023	8.304	PROTECTOR, RKR PNL RR MLDG (REAR)	E	1	R
6	92238466	10.694	WEATHERSTRIP, FRT S/D LWR AUX (INCLS 7) (PART OF 1) (BUILT ON OR AFTER 3/16/09) (FOR 1ST DES SEE 92194955)	E37 (2ND DES)	1	L
6	92238467	10.694	WEATHERSTRIP, FRT S/D LWR AUX (INCLS 7) (PART OF 1) (BUILT ON OR AFTER 3/16/09) (FOR 1ST DES SEE 92232813)	E37 (2ND DES)	1	R
7	NS		RETAINER, PLASTIC TREE (PART OF 1, 6)			
8	92232018	8.304	PROTECTOR, RKR PNL RR MLDG (FRONT)	E	1	L
8	92232019	8.304	PROTECTOR, RKR PNL RR MLDG (FRONT)	E	1	R
9	11570637	8.153	BOLT, FRT W/H LNR (12.182)	E37	10	
10	11513599	8.921	NUT, U-TYPE, M4.2X1.41, 0.65-3.80 PNL THK, PZ (PART OF 1) (#11513599)		1	
11	15223483	8.147	EMBLEM, F/FDR (CHROME) (GM) (17.507)	E37	2	
12	11609923	8.309	RETAINER, RKR PNL MLDG (PART OF 1) (NATURAL) (W/FOAM SEAL)	E37	36	
13	92199526	8.147	PLATE, F/FDR NA (CAMARO)	E37	2	



Courtesy of Camaro5.com

Call	Part Number	Group	Description	Usage	Qty	Hand
1	92235811	10.185	MIRROR, O/S RR VIEW (INCLS 2, 7, 9) (PAINT TO MATCH)	E37 (DG7) (EXC Z5X)	1	R
1	92235788	10.185	MIRROR, O/S RR VIEW (INCLS 2, 7, 9) (PAINT TO MATCH)	E37 (DG7) (EXC Z5X)	1	L
2	92221401	10.186	GASKET, O/S RR VIEW MIR (PART OF 1)	E37	1	L
2	92221402	10.186	GASKET, O/S RR VIEW MIR (PART OF 1)	E37	1	R
3	92231318	10.185	APPLIQUE, O/S RR VIEW MIR OPG	E37	1	L
3	92231319	10.185	APPLIQUE, O/S RR VIEW MIR OPG	E37	1	R
4	90561306	10.185	BOLT, O/S RR VIEW MIR OPG APLQ (BLACK) (M5X2.25X18) (SCREW-PAN HD W/WA, STL) (15.024)	E37	6	
5	11609411	8.917	NUT, HEX W/CON WA, M6X1, 5.7 THK, 16 OD, 9, GMW3200 (O/S RR VIEW MIR OPG APLQ)		6	
6		13.09	HARNESS, FRT S/D WRG (SEE GROUP 10.000 "DOOR HARDWARE/FRONT PART 2" FOR DETAILED ILLUSTRATED VIEW)			
7	NS		HARNESS, I/S RR VIEW MIR WRG (PART OF 1)			
8	92235872	10.185	GLASS, O/S RR VIEW MIR (W/BKG PLATE)	E37 (DG7) (EXC Z5X)	1	L
8	92235873	10.185	GLASS, O/S RR VIEW MIR (W/BKG PLATE)	E37 (DG7) (EXC Z5X)	1	R
9	NS		BOLT, O/S RR VIEW MIR (PART OF 1)			
10	92221400	10.185	ACTUATOR, O/S RR VIEW MIR INR	E37	1	R
10	92221399	10.185	ACTUATOR, O/S RR VIEW MIR INR	E37	1	L



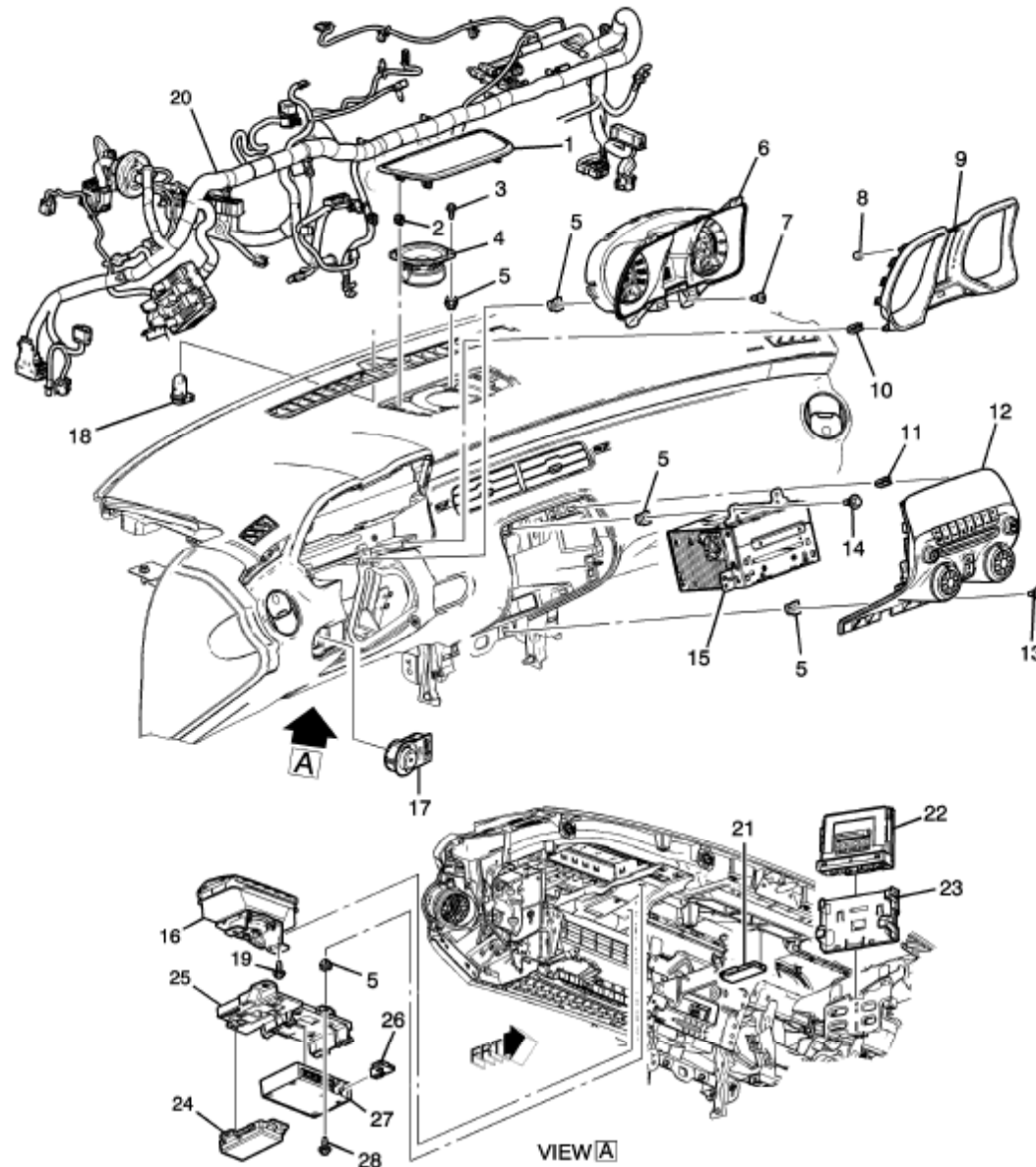
Courtesy of Camaro5.com

Parts (1) - Instrument Panel (1)

Call	Part Number	Group	Description	Usage	Qty	Hand
1	92240837	9.743	PLATE, I/P CSTR TR (INCLS 44, 45) (SILVER)	E37 (LHD)	1	
2	92238389	9.78	DEFLECTOR, SI WDO DEFG OTLT (BLACK)	E37 (LHD) (NOT YET AVAILABLE)	1	R
3	92139132	10.235	RETAINER, I/P OTR TR CVR (PART OF 7) (10.230)	E37	3	
4	11609465	8.9	BOLT, HWH, M4.2X1.41X18, 12.5 OD, 6010M, PS (I/P TR PLT) (8.977)		8	
5	92139132	10.252	CLIP, I/P TR PLT APLQ (PART OF 6) (10.230)	EF, ES37 (EBQ, LHD)	2	
6	92241118	10.252	APPLIQUE, I/P TR PLT (INCLS 5) (BLACK) (BUILT 7/29/09 & AFTER) (FOR 1ST DES SEE 92236292)	E37 (LHD, 3BI) (2ND DES)	1	R
7	92240523	10.235	COVER, I/P OTR TR (INCLS 3, 21) (BLACK)	E37 (LHD)	1	R
8	92139132	10.23	RETAINER, I/P UPR T/PNL (PART OF 9)	E37	2	
9	92240489	10.23	PANEL, INST (INCLS 8)	E37 (LHD)	1	
10	22596346	10.263	BUMPER, I/P COMPT (*KIT1) (10.242)	E37 (LHD)	1	
11	92236514	10.268	ROD, I/P COMPT DR LAT REL (*KIT1)	E37 (LHD)	1	R
12	13500191	10.268	RETAINER, I/P COMPT DR LAT (*KIT1)	E37	2	
13	92234055	10.261	DOOR, I/P COMPT (*KIT1)	E37	1	
14	20765510	10.266	CYLINDER, I/P COMPT DR LK	E37	1	
15	96965074	10.268	LATCH, I/P COMPT DR (BLACK) (*KIT1)	E37 (LHD)	1	
16	11610157	8.921	NUT, PNL, M4.2X1.41, 8.5X11.9, 2.3-2.8 PNL, FITS 11.2X9.2 HOLE, 1050, GMW33 (I/P CARR) (*KIT1) (10.701)		4	
17	92236513	10.268	ROD, I/P COMPT DR LAT REL (*KIT1)	E37 (LHD)	1	L
18	92234250	10.261	FOUNDATION, I/P COMPT DR (*KIT1)	E37	1	
19	11609508	8.977	SCREW, TORX, W/ RD WA, M4.2X1.41X16, 11.1 O.D., STL, NIOR (I/P COMPT) (*KIT1)		8	
20	11609509	8.977	SCREW, LG RD WA HD, C/R, HI-LO, 4.2X1.41X13, 11.35-OD, B PT, 6010, GMW4205 (I/P COMPT DR LAT) (*KIT1)		2	
21	NS		LABEL, RLY & FUSE BLK IDENT (PART OF 7)			
22	11610157	8.921	NUT, PNL, M4.2X1.41, 8.5X11.9, 2.3-2.8 PNL, FITS 11.2X9.2 HOLE, 1050, GMW33 (PART OF 37) (10.701)		57	
23	11609539	8.977	SCREW, RD CROWNED WA HD, M4.2X1.41X16, STL ISO 2702, GMW4205 (I/P OTR AIR OTLT)		6	
24	92230768	9.262	OUTLET, I/P OTR AIR (BLACK/SILVER)	E37 (NOT YET AVAILABLE)	2	
25	92239992	10.252	RETAINER, I/P COMPT TR PLT (PART OF 37)	E37 (LHD, UQA, UQ3)	2	

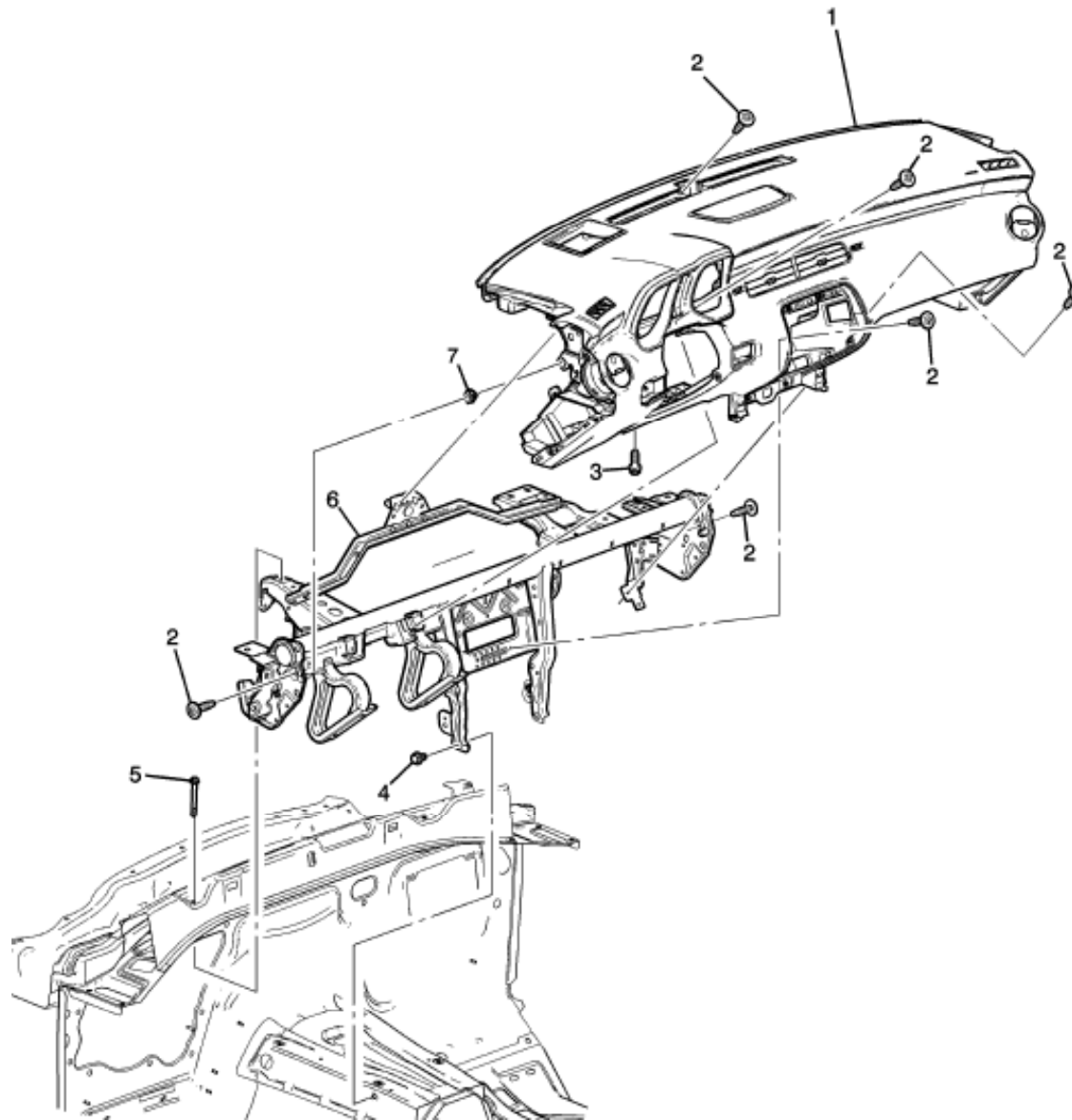
Parts (2) - Instrument Panel (1)

Call	Part Number	Group	Description	Usage	Qty	Hand
26	92235959	9.65	CONTROL, AM/FM STEREO RDO (INCLS 27)	E37 (UYE) (EXC KA1)	1	
27	11561857	9.667	RETAINER, RDO (PART OF 26) (BLACK) (14.13 X 11 X 8.6) (7.831)	E37	5	
28	92241115	10.252	APPLIQUE, I/P TR PLT (INCLS 33) (BLACK) (BUILT 7/29/09 & AFTER) (FOR 1ST DES SEE 92236291)	E37 (LHD, 3BI) (2ND DES)	1	L
29	11513599	8.921	NUT, U-TYPE, M4.2X1.41, 0.65-3.80 PNL THK, PZ (PART OF 37)		2	
30	92235057	10.235	ABSORBER, I/P DRVR KNEE BOLS ENGY (PART OF 37)	E37	1	
31	11609539	8.977	SCREW, RD CROWNED WA HD, M4.2X1.41X16, STL ISO 2702, GMW4205 (I/P CTR AIR OTLT)		4	
32	92239557	9.262	OUTLET, I/P CTR AIR (BLACK)	E37 (NOT YET AVAILABLE)	1	
33	92139132	10.252	CLIP, I/P TR PLT APLQ (PART OF 28) (10.230)	EF, ES37 (EBQ, LHD)	2	
34	11609539	8.977	SCREW, RD CROWNED WA HD, M4.2X1.41X16, STL ISO 2702, GMW4205 (I/P COMPT)		8	
35	92139132	10.235	RETAINER, I/P OTR TR CVR (PART OF 36) (10.230)	E37	3	
36	92240522	10.235	COVER, I/P OTR TR (INCLS 35) (BLACK)	E37 (LHD)	1	L
37	92240645	10.235	PAD, I/P TR (INCLS 22, 25, 29, 30, 39, 46-48) (BLACK) (BUILT 5/1/09 & AFTER) (FOR 1ST DES SEE 92239053)	E37 (LHD, UQ3) (2ND DES)	1	
38	92238390	9.78	DEFLECTOR, SI WDO DEFG OTLT (BLACK)	E37 (LHD) (NOT YET AVAILABLE)	1	L
39	92194230	10.23	SEAL, I/P INSL (PART OF 37)	E37	1	
40	13245029	2.485	SENSOR, HDLP AUTO CONT AMB LGT	E	1	
41	92240518	9.264	GRILLE, I/P CTR AIR OTLT (BLACK)	E37 (LHD)	1	
42	92139132	9.655	RETAINER, RDO FRT SPKR GRL (PART OF 43) (10.230)	E37	1	
43	92218860	9.655	GRILLE, RDO FRT SPKR (INCLS 42)	E37 (UQA)	1	
44	92139132	10.252	CLIP, I/P TR PLT APLQ (PART OF 1) (10.230)	EF, ES37 (EBQ, LHD)	2	
45	25603681	9.743	INSULATOR, I/P CSTR TR PLT LWR (PART OF 1) (BLACK/RUBBER)	E37 (LHD)	8	
46	11561729	10.23	BOLT, I/P REINF BRKT (M4.8X1.6X16, 7.55 THD) (BOLT-HEX W/FL WA, STL) (10.056)	E37 (LHD)	1	
46	11609539	8.977	SCREW, RD CROWNED WA HD, M4.2X1.41X16, STL ISO 2702, GMW4205 (PART OF 37)		5	
47	92240646	10.261	DAMPENER, I/P COMPT DR (PART OF 37)	E37	1	
48	92232161	10.23	BRACKET, I/P CARR SUPT (PART OF 37)	E37	1	
K01	92236517	10.26	COMPARTMENT, I/P (W/ DOOR) (INCLS 10-13, 15-20)	E37		

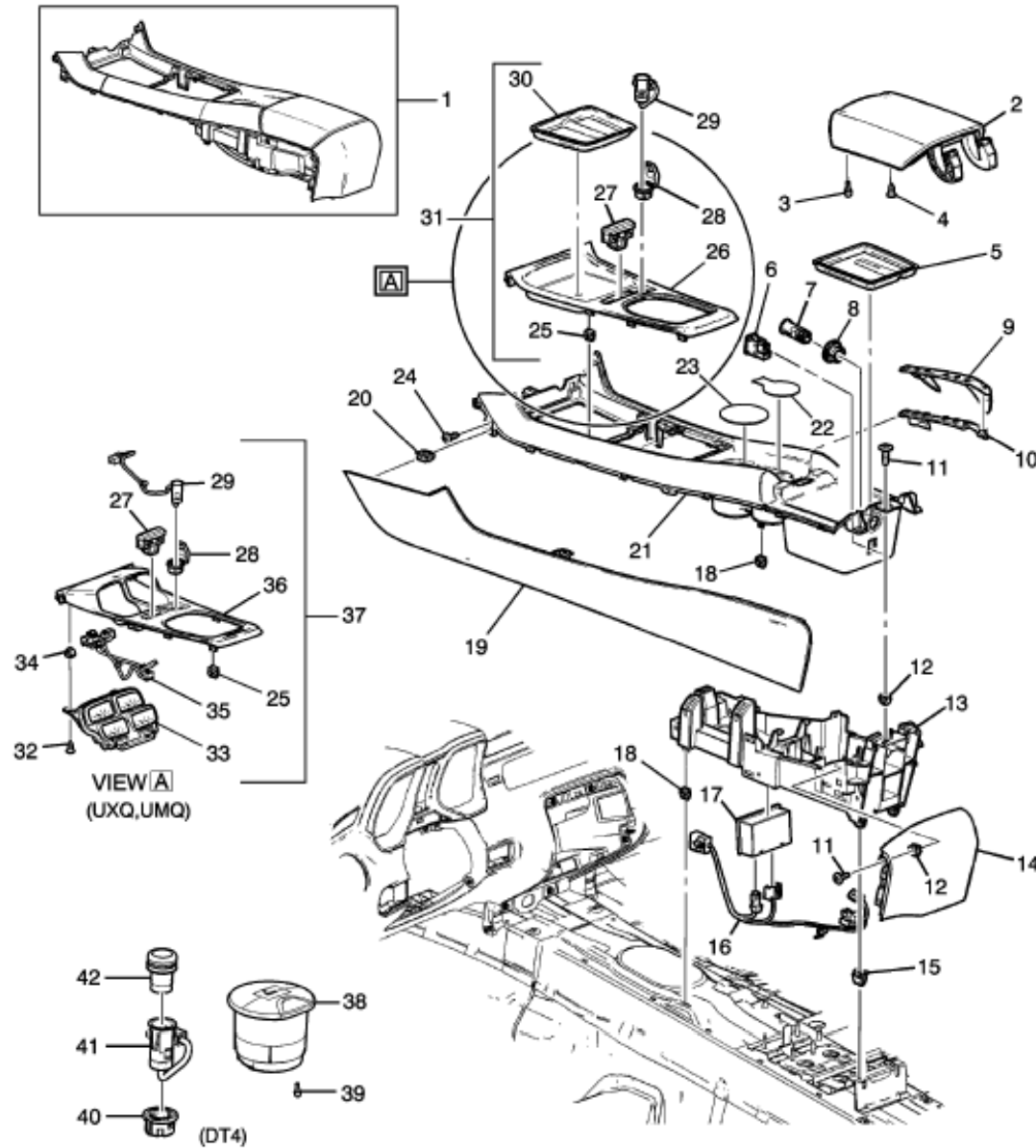


Courtesy of Camaro5.com

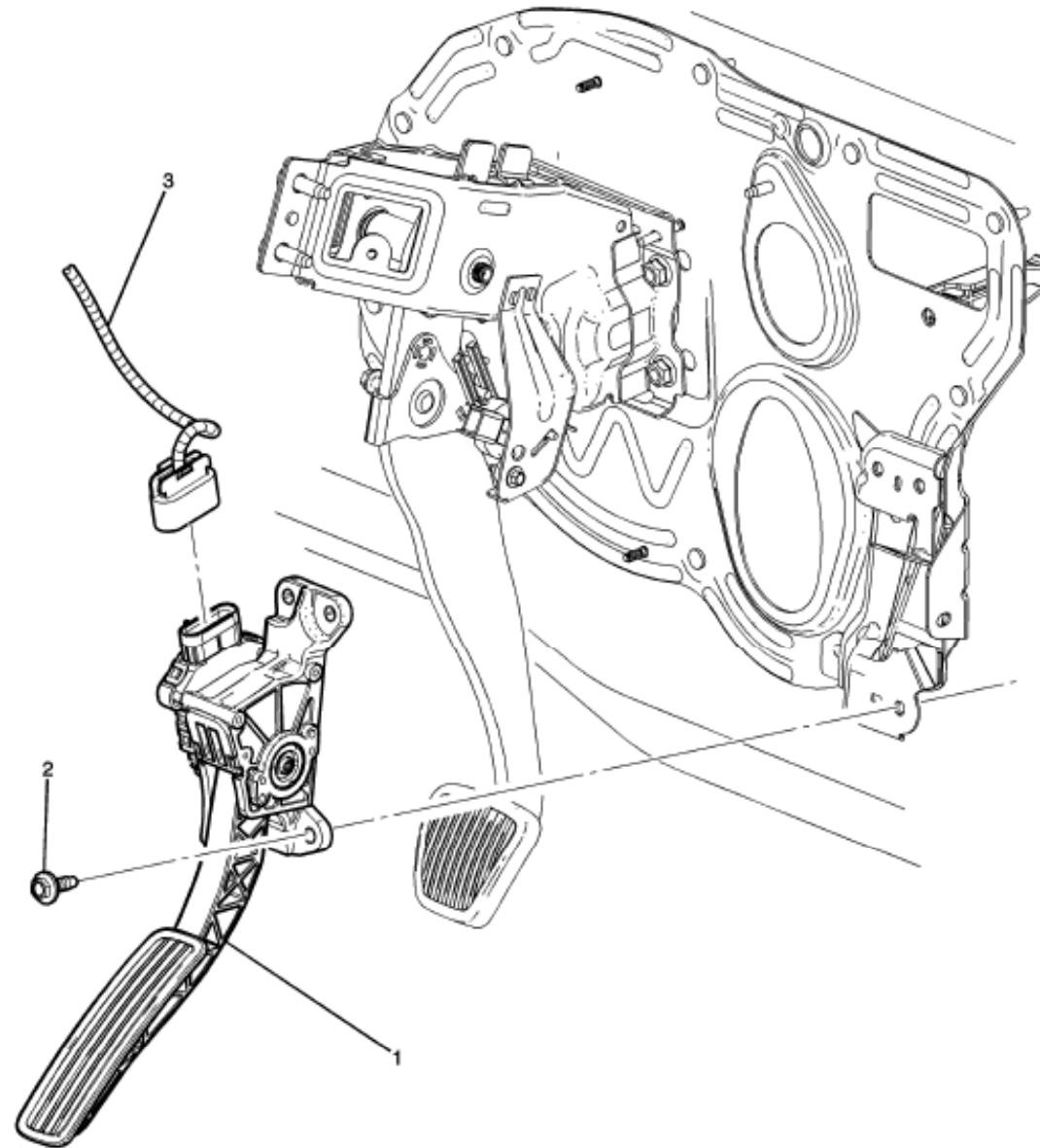
Call	Part Number	Group	Description	Usage	Qty	Hand
1	92218860	9.655	GRILLE, RDO FRT SPKR (INCLS 2)	E37 (UQA)	1	
2	92139132	9.655	RETAINER, RDO FRT SPKR GRL (PART OF 1) (10.230)	E37	1	
3	11609539	8.977	SCREW, RD CROWNED WA HD, M4.2X1.41X16, STL ISO 2702, GMW4205 (RDO FRT CTR SPKR)		2	
4	92199590	9.665	SPEAKER, RDO FRT CTR	E (UQA)	2	
5	11610157	8.921	NUT, PNL, M4.2X1.41, 8.5X11.9, 2.3-2.8 PNL, FITS 11.2X9.2 HOLE, 1050, GMW33 (I/P CARR) (10.701)		52	
6	92238812	9.735	CLUSTER, INST (BLACK)	ES37 (LHD, UMN, W1H)	1	
7	11508765	8.977	SCREW, TORX, W/ RD WA, M4.2X1.41X16, 11.1 O.D., STL, NIOR (INST CSTR)		4	
8	25603681	9.743	INSULATOR, I/P CSTR TR PLT LWR (PART OF 9) (BLACK/RUBBER)	E37 (LHD)	8	
9	92240837	9.743	PLATE, I/P CSTR TR (INCLS 8, 10) (SILVER)	E37 (LHD)	1	
10	92139132	9.743	CLIP, I/P CSTR TR PLT (PART OF 9) (10.230)	E37	2	
11	11561857	9.667	RETAINER, RDO (PART OF 12) (BLACK) (14.13 X 11 X 8.6) (7.831)	E37	5	
12	92235960	9.65	CONTROL, AM/FM STEREO RDO (INCLS 11)	E37 (KA1, UYE)	1	
13	11609465	8.9	BOLT, HWH, M4.2X1.41X18, 12.5 OD, 6010M, PS (RDO) (8.977)		2	
14	11609539	8.977	SCREW, RD CROWNED WA HD, M4.2X1.41X16, STL ISO 2702, GMW4205 (RDO CONT)		4	
15	20830922	9.65	RADIO, AM/FM STEREO	EE, EF, ES (UYI)	1	
16	92234409	14.865	AIRBAG, I/P INFL RST MDL	E37	1	
17	92218816	2.485	SWITCH, HDLP & I/P LP DIMR (W/HSG)	E37 (EXC T3U)	1	
18	13245029	2.485	SENSOR, HDLP AUTO CONT AMB LGT	E	1	
19	11588564	8.9	BOLT, HEX W/FL WA, M8X1.25X25, 15.85 THD, 17 OD, 9.8, GMW3200M, MACH, MAT-PT (I/P INFL RST MDL HSG BTM BRKT)		2	
20		2.48	HARNES, I/P WRG (SEE GROUP 02.000 "WIRING HARNESS/INSTRUMENT PANEL" FOR DETAILED ILLUSTRATED VIEW)			
21	13503205	10.485	RECEIVER, R/CON DR LK (LEAD FREE PART)	E37 (XL7)	1	
22	13500385	2.56	MODULE, BODY CONT (LABELED 13500385)	E37	1	
23	92237355	2.56	BRACKET, BCM (LABELED 92237355)	E	1	
24	88861186	9.675	BATTERY, COMMUNICATION INTERFACE MDL (ONSTAR BACKUP) (2.330)	EE, EF, ES (UE1)	1	
25	92240626	9.675	BRACKET, COMMUNICATION INTERFACE MDL (INCLS 25)	EE, EF, ES (LHD)	1	
26	15938939	9.645	ANTENNA, WIRELESS COMN INTERFACE (BLUETOOTH)	E37	1	
27	20842731	9.675	MODULE, COMN INTERFACE (W/MOBILE TEL XCVR)	EE, EF, ES (UE1, UPF)	1	
28	11588711	8.9	BOLT, HFH, M6X1X16, 10 THD, 14.2 OD, 8.8 STL, GMW3359 (MOBILE TEL CONT MDL)		2	
29	11610157	8.921	NUT, PNL, M4.2X1.41, 8.5X11.9, 2.3-2.8 PNL, FITS 11.2X9.2 HOLE, 1050, GMW33 (PART OF 25) (10.701)		2	



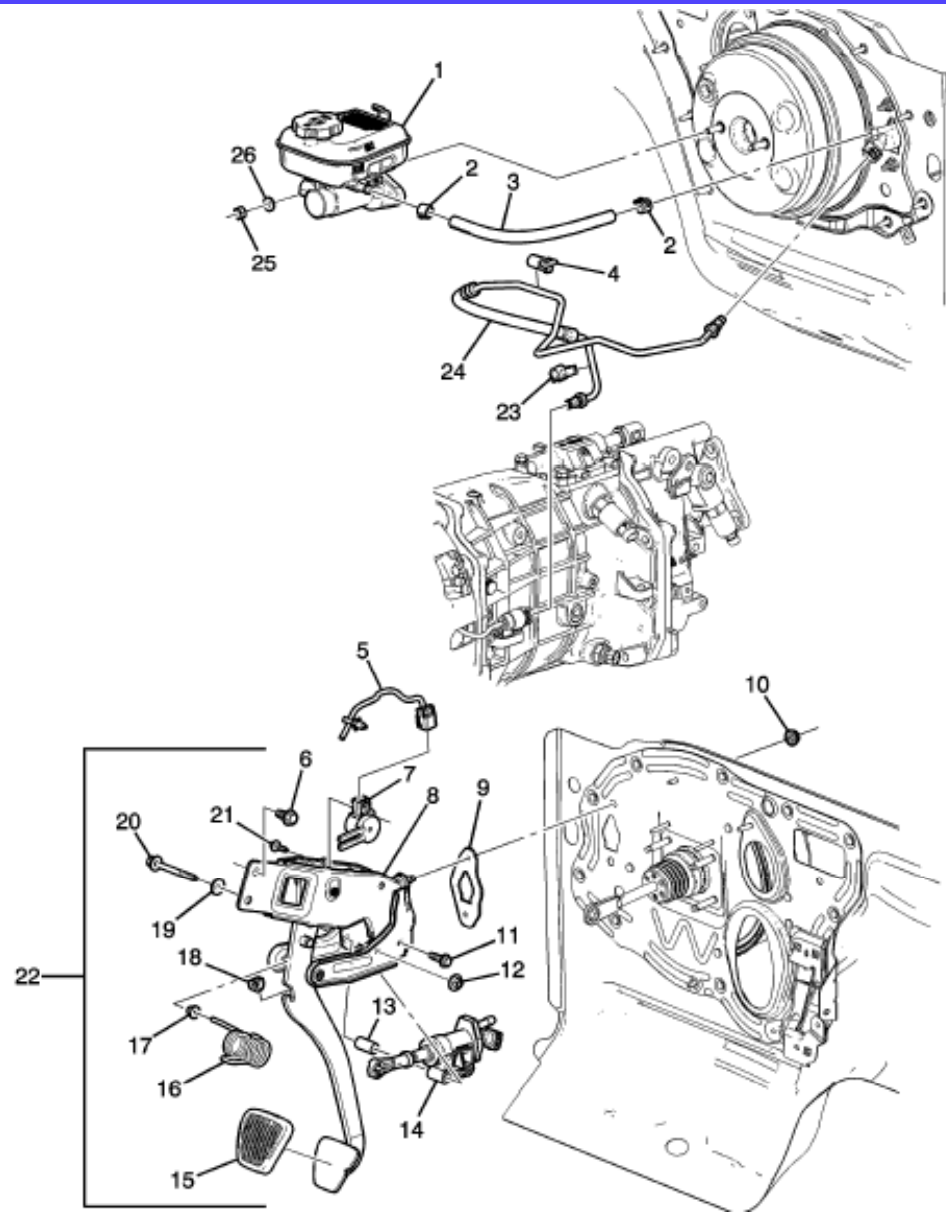
Call	Part Number	Group	Description	Usage	Qty	Hand
1	92240645	10.235	PAD, I/P TR (SEE GROUP 16.000 "INSTRUMENT PANEL/TRIM" FOR DETAILED ILLUSTRATED VIEW) (INCLS 7) (BLACK) (BUILT 5/1/09 & AFTER) (FOR 1ST DES SEE 92239053)	E37 (LHD, UQ3) (2ND DES)	1	
2	11609539	8.977	SCREW, RD CROWNED WA HD, M4.2X1.41X16, STL ISO 2702, GMW4205 (INST CARR)		12	
3	11561729	9.262	BOLT, FLR FRT AIR OTLT DUCT (M4.8X1.6X16, 7.55 THD) (BOLT-HEX W/FL WA, STL) (10.056)	EE, EF, ES37	1	
3	90561306	9.262	BOLT, FLR FRT AIR OTLT DUCT (DUCT TO HVAC) (BLACK) (M5X2.25X18) (SCREW-PAN HD W/WA, STL) (15.024)	E37	1	
4	11588564	8.9	BOLT, HEX W/FL WA, M8X1.25X25, 15.85 THD, 17 OD, 9.8, GMW3200M, MACH, MAT-PT (I/P TIE BAR)		2	
5	11588735	8.9	BOLT, HFH, M8X1.25X100, 22 THD, 18 OD, 8.8 STL, GMW3359, M-PT (I/P TIE BAR)		2	
6	92239026	10.23	BAR, I/P TIE (CROSS CAR BEAM)	E37 (LHD)	1	
7	11610157	8.921	NUT, PNL, M4.2X1.41, 8.5X11.9, 2.3-2.8 PNL, FITS 11.2X9.2 HOLE, 1050, GMW33 (PART OF 1) (10.701)		57	



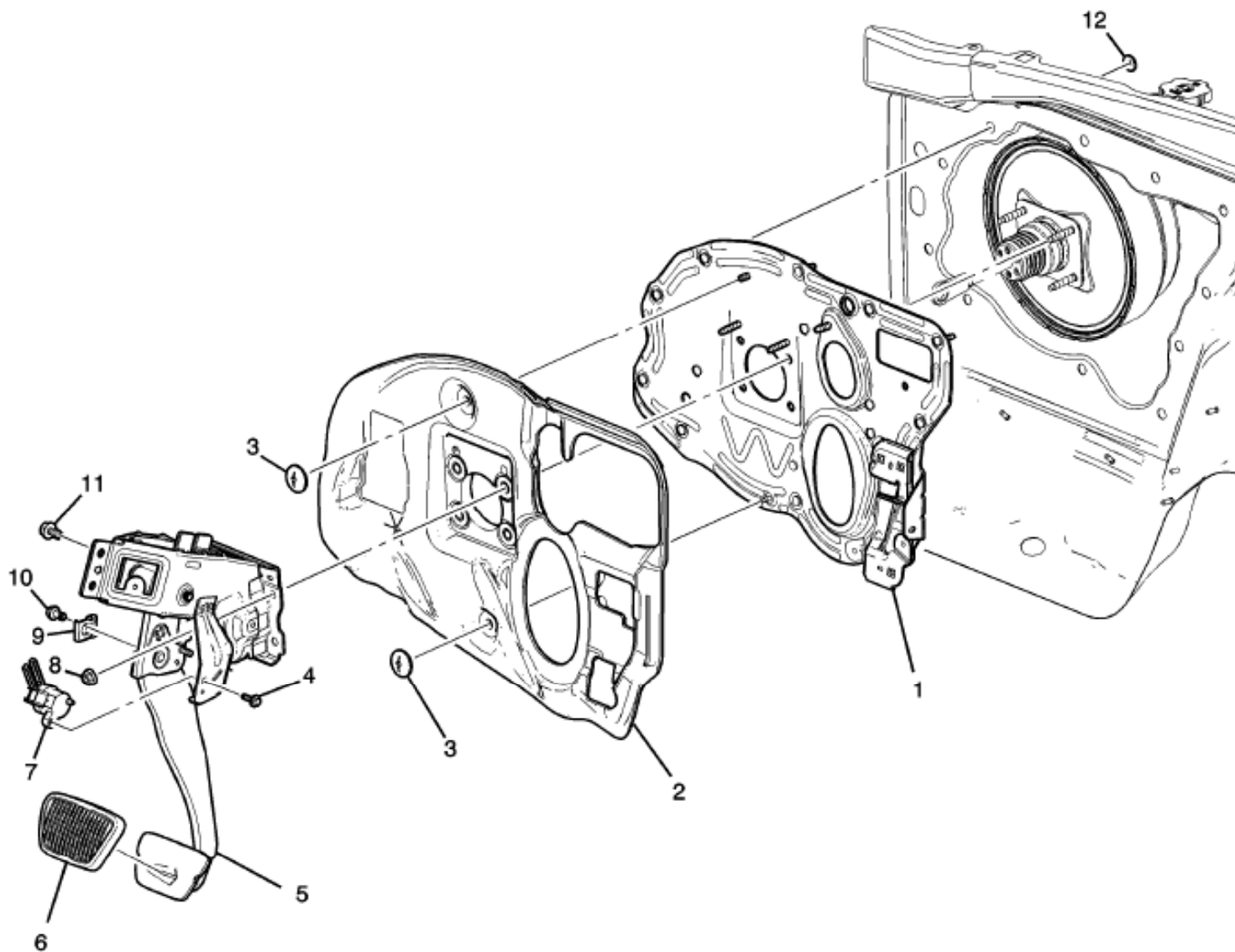
Call	Part Number	Group	Description	Usage	Qty	Hand
1	92239967	10.24	CONSOLE, F/FLR (INCLS 2-18, 21-23) (BLACK)	E37 (EBQ, LHD) (EXC B2E, USR)	1	
2	92240774	10.24	ARMREST, F/FLR CNSL (PART OF 1) (INCLS 3, 4) (BLACK)	E37 (EBQ) (EXC B2E)	1	
3	3547884	10.242	BUMPER, F/FLR CNSL COMPT DR (PART OF 1, 2) (12.945)	E37	2	
4	92138971	10.24	BOLT, F/FLR CNSL A/RST (PART OF 1, 2)	E37 (NOT YET AVAILABLE)	6	
5	92216339	10.24	LINER, F/FLR CNSL COMPT (PART OF 1)	E37	1	
6	25832461	9.675	RECEPTACLE, AUDIO DISC PLYR & USB (PART OF 1)	E37 (EXC USR)	1	
7	13502523	9.709	RECEPTACLE, ACSRY PWR (PART OF 1)	E	2	
8	13504492	9.709	RETAINER, ACSRY PWR RCPT (PART OF 1) (HINGED MOUNTED CAP)	E37	1	
9	NS		COVER, PARK BRK LVR OPG (PART OF 1, 21)			
10	NS		RETAINER, PARK BRK LVR OPG CVR (PART OF 1, 21)			
11	11609539	8.977	SCREW, RD CROWNED WA HD, M4.2X1.41X16, STL ISO 2702, GMW4205 (PART OF 1)			
12	11610157	8.921	NUT, PNL, M4.2X1.41, 8.5X11.9, 2.3-2.8 PNL, FITS 11.2X9.2 HOLE, 1050, GMW33 (PART OF 1) (10.701)			
13	92240767	10.24	REINFORCEMENT, F/FLR CNSL (PART OF 1) (INCLS 15, 18)	E37 (EAL, EBQ)	1	
14	92240778	10.24	COVER, F/FLR CNSL RR (PART OF 1)	E37 (EAL, EBQ)	1	
15	NS		CLIP, F/FLR CNSL (PART OF 1, 13)			
16	92196640	2.48	HARNESS, F/FLR CNSL WRG (PART OF 1)	E37 (EXC USR)	1	
17	20893388	9.68	MODULE, MULTI MEDIA PLYR INTERFACE (PART OF 1)	E37	1	
18	92139132	10.24	CLIP, F/FLR CNSL (PART OF 1, 13, 21) (10.230)	E37	2	
19	92240783	10.24	COVER, F/FLR CNSL SI (INCLS 20) (BLACK) (PNL ASM - CNSL BASE EXT)	E37	1	
20	92139132	10.24	CLIP, F/FLR CNSL SI CVR (PART OF 19) (10.230)	E37	13	
21	92240775	10.24	CONSOLE, F/FLR (PART OF 1) (INCLS 9, 10, 18)	E37 (EAL, EBQ) (EXC B2E)	1	
22	92236711	10.24	LINER, F/FLR CNSL CUP HLDR (PART OF 1) (CUPHOLDER LINER REAR)	E37	1	
23	92236710	10.24	LINER, F/FLR CNSL CUP HLDR (PART OF 1) (LINER FRONT)	E37	1	
24	11609539	8.977	SCREW, RD CROWNED WA HD, M4.2X1.41X16, STL ISO 2702, GMW4205 (F/FLR CNSL RET)		2	
25	92139132	10.24	CLIP, F/FLR CNSL (PART OF 26, 31, 36, 37) (10.230)	E37	6	
26	92233050	10.24	COVER, F/FLR CNSL FRT (PART OF 31) (INCLS 25) (SILVER) (W/O SW)	E37 (MYB, MYC) (EXC UMQ, UXQ)	1	
27	92218817	4.71	SWITCH, ELEK TRACT CONT (PART OF 31, 37)	E	1	
28	92239071	9.709	RETAINER, ACSRY PWR RCPT (PART OF 31, 37)	E	1	
29	92230851	9.709	RECEPTACLE, ACSRY PWR (PART OF 31, 37) (W/PIGTAIL) (F/FLR CNSL FRT)	E	1	
30	92235494	10.24	LINER, F/FLR CNSL STOR TRAY (PART OF 31)	E37 (EXC UMQ, UXQ)	1	
31	92239969	10.24	COVER, F/FLR CNSL FRT (INCLS 25-30) (SILVER) (LS/LT/SS MANL TRN V8 W/O GAUGES)	E37 (LS3, M10) (EXC UMQ, UXQ)	1	
32	11609539	8.977	SCREW, RD CROWNED WA HD, M4.2X1.41X16, STL ISO 2702, GMW4205 (PART OF 37)			
33	92233046	9.765	GAGE, M/FUNC AUX (PART OF 37) (#92233046)	E37 (UXQ)	1	
34	11610157	8.921	NUT, PNL, M4.2X1.41, 8.5X11.9, 2.3-2.8 PNL, FITS 11.2X9.2 HOLE, 1050, GMW33 (PART OF 37) (10.701)			
35	92233008	13.09	HARNESS, F/FLR CNSL ACSRY WRG (PART OF 37)	ES37 (LS3, M10, UMQ)	1	
36	92233051	10.24	COVER, F/FLR CNSL FRT (PART OF 37) (INCLS 25) (SILVER) (W/O GAGE & SW)	E37 (MYB, MYC, UMQ, UXQ)	1	
37	92239975	10.24	COVER, F/FLR CNSL FRT (INCLS 25, 27-29, 32-36) (SILVER) (MANL TRN V8 W/GAGES)	ES37 (LS3, M10, UMQ)	1	
38	22611384	10.242	ASHTRAY, F/FLR CNSL (BLACK) (TALL STYLE) (PLSTC) (W/O C/LTR) (*KIT1)	E37	1	
39	22611450	10.242	BUMPER, F/FLR CNSL ASHTRAY DR (BLACK) (*KIT1)	E37	1	
40	13502516	9.709	RETAINER, C/LTR RCPT (*KIT1)	E37	1	
41	92230850	9.709	RECEPTACLE, C/LTR (*KIT1)	E37	1	
42	13502526	9.709	LIGHTER, CIG (*KIT1)	E37	1	
K01	92237050	21.146	ASHTRAY PKG, I/P (INCLS 38-42) (INSTALL .40) (0.18 KGS) (12.009)	E37		



Call	Part Number	Group	Description	Usage	Qty	Hand
1	92199239	3.451	PEDAL, ACCEL (W/BRKT)	E37	1	
2	11570136	8.9	BOLT, HEX HD, W/CON SPR WA, M6X1X23, 14 THD, 17 O.D., 8.8, GMW3359 (ACCEL PED BRKT)		3	
3		2.48	HARNESS, I/P WRG (SEE GROUP 02.000 "WIRING HANRESS/INSTRUMENT PANEL" FOR DETAILED ILLUSTRATED VIEW)			

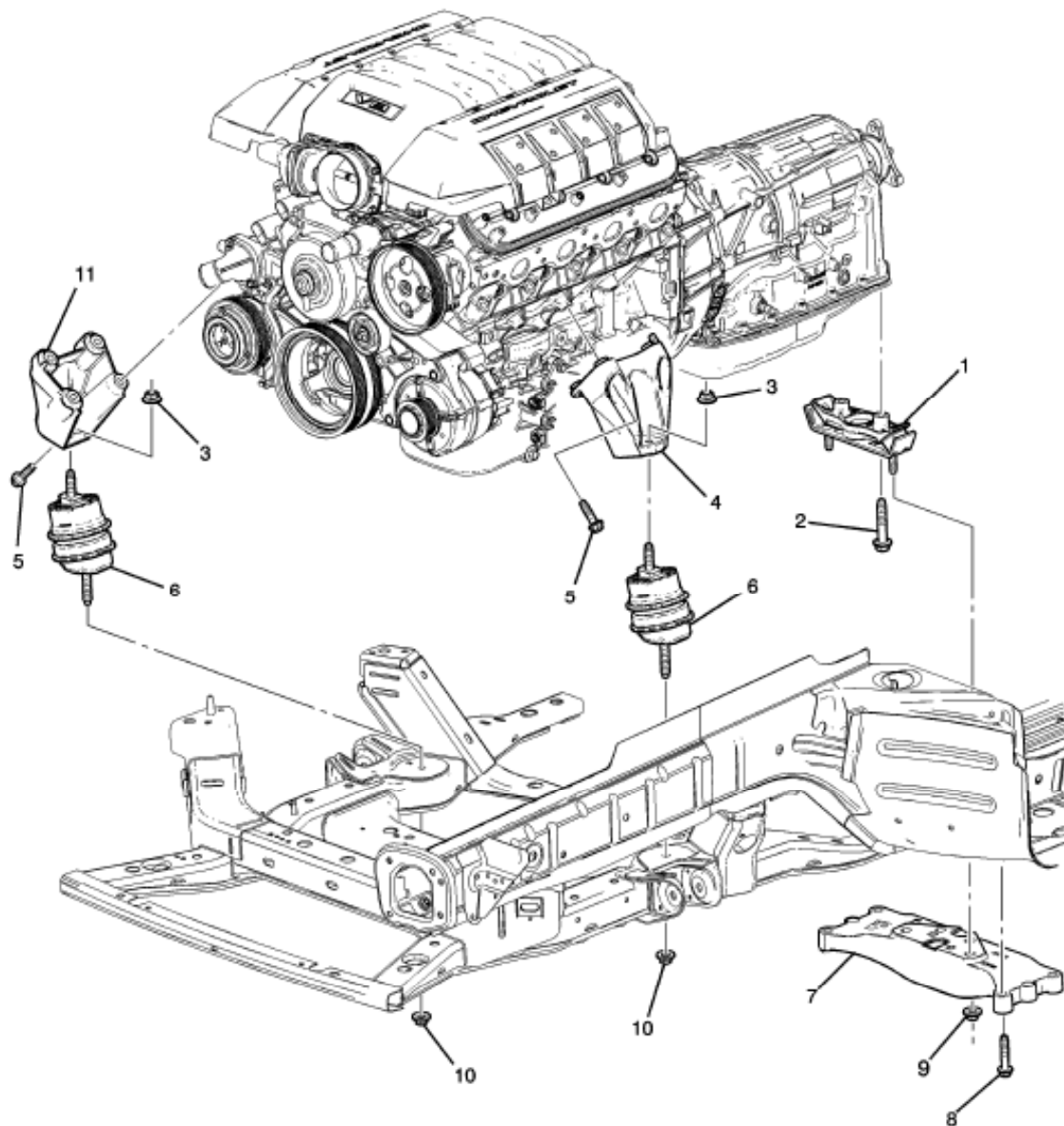


Call	Part Number	Group	Description	Usage	Qty	Hand
1	92234612	4.649	CYLINDER KIT, BRK MAS (SEE GROUP 04.000 "BRAKE MASTER CYLINDER" FOR DETAILED ILLUSTRATED VIEW)	E37 (LS3, L99)	1	
2	NS		CLAMP, CLU M/CYL RSVR HOSE (PART OF 3)			
3	92221530	0.785	HOSE, CLU M/CYL RSVR (INCLS 2)	E37 (MV5)	1	
4	NS		CLIP, CLU ACTR CYL PIPE (PART OF 24)			
5		2.48	HARNES, I/P WRG (SEE GROUP 02.000 "WIRING HARNES/INSTRUMENT PANEL" FOR DETAILED ILLUSTRATED VIEW)			
6	11519976	8.9	BOLT, HFLGE, M8X1.25X20, 15.6 THD, 18 O.D., 8.8, GMW3359 (CLU PED)		2	
7	92190131	0.775	SWITCH, CLU PED POSN (PART OF 22) (4.625)	E37 (MV5)	1	
8	92233504	0.829	BRACKET, CLU PED	E37 (M10, LHD)	1	
9	92182283	0.829	GASKET, CLU PED BRKT BR (PART OF 22)	E37 (M10)	1	
10	11516076	8.917	NUT, PREVAILING TORQUE TENSION FLG HD (M8X1.25X17.4 OD (CLU LVR BRKT)		2	
11	11562426	8.9	BOLT, HFH, M6X1X25, 18 THD, 14.2 OD, 10.9 STL GMW3359 (PART OF 22)		1	
12	11514517	8.917	NUT, HEX, W/CON SPR WA, M6X1, 5.7THK, 18 O.D., 9, 7111M (PART OF 22)		1	
13	92201339	0.777	SPACER, CLU M/CYL (PART OF 22)	E37 (M10)	1	
14	92199594	0.775	CYLINDER, CLU MAS (PART OF 22)	E37 (M10)	1	
14	92067134	0.775	CYLINDER, CLU MAS (PART OF 22)	E37 (MV5)	1	
15	92173104	4.63	COVER, CLU PED (PART OF 22)	E37 (MV5, M10)	1	
16	92233418	0.844	SPRING, CLU PED RTN (PART OF 22)	E37 (M10)	1	
17	NS		BUSHING, CLU PED (PART OF 22)			
18	92223839	0.831	BUSHING, CLU PED RTN SPR (PART OF 22)	E37 (M10)	1	
19	92201340	0.831	WASHER, CLU PED (PART OF 22)	E37 (M10)	1	
20	11609264	8.9	BOLT, HFH, W/6124M ADH, M6X1.0X72, 20 THD, 17.0 O.D., 10.9, GMW3359 (PART OF 22)		1	
21	11609999	8.9	SCREW, HEX HD FL WA, M4X0.7X20, 13 THD, 12 OD, 9.8, GMW3044, W/NYLON (PART OF 22)		1	
22	92199240	0.83	PEDAL, CLU (W/BRKT) (INCLS 7, 9, 11-21)	E37 (MV5)	1	
22	92199595	0.83	PEDAL, CLU (W/BRKT) (INCLS 7, 9, 11-21)	E37 (M10)	1	
23	NS		CLIP, CLU ACTR CYL (PART OF 24)			
24	92242355	0.785	HOSE, CLU ACTR CYL (INCLS 4, 23)	E37 (MV5, LHD)	1	
25	92234625	4.662	NUT, BRK M/CYL	E37	2	
26	92234611	4.662	WASHER, BRK M/CYL	E	2	

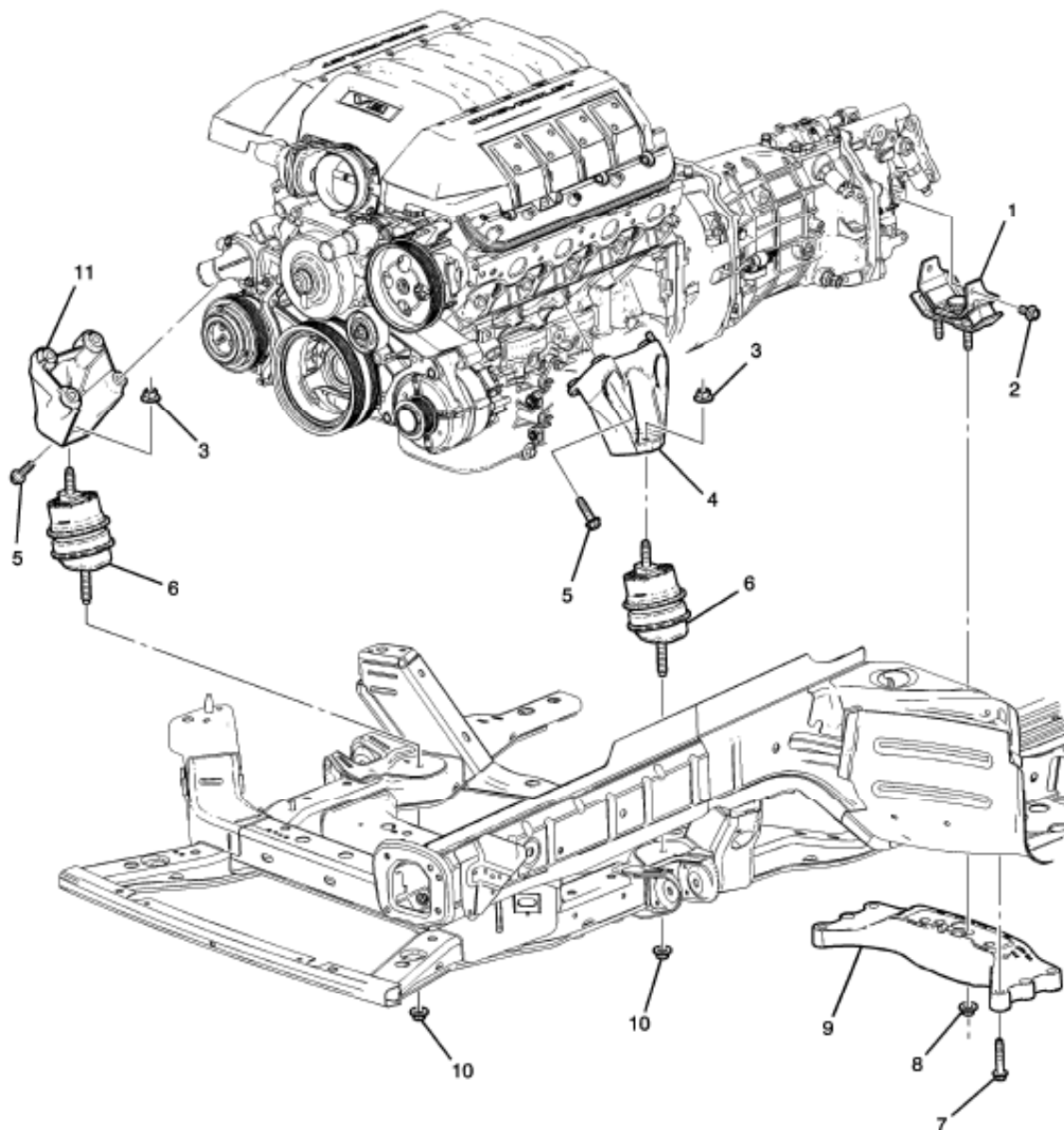


Courtesy of Camaro5.com

Call	Part Number	Group	Description	Usage	Qty	Hand
1	92201048	4.634	PLATE, BRK & ACCEL & CLU PED BRKT	E37 (MV5, M10, LHD)	1	
1	92201046	4.634	PLATE, BRK & ACCEL PED BRKT	E37 (MYB, MYC, LHD)	1	
2	92195881	4.634	INSULATOR, BRK & ACCEL & CLU PED BRKT PLT	E37 (LHD)	1	
3	90214832	4.634	RETAINER, BRK & ACCEL & CLU PED BRKT INSL (PUSH IN) (LENGTH 10.8 MM) (12.980)	E37	4	
4	NS		BOLT, BRK PED (PART OF 5)			
5	92195946	4.625	PEDAL, BRK (W/BRKT) (INCLS 4, 6, 7)	E37 (MYB, MYC)	1	
5	92195945	4.625	PEDAL, BRK (W/BRKT) (INCLS 4, 6, 7)	E37 (MV5, M10)	1	
6	92173102	4.63	COVER, BRK PED (AUTO) (PART OF 5)	E37 (MYB, MYC, LHD)	1	
6	92173104	4.63	COVER, BRK PED (MANUAL) (PART OF 5)	E37 (MV5, M10, LHD)	1	
7	92220355	4.625	SENSOR, BRK PED POSN (PART OF 5)	E37 (MYB, MYC, ALC, LHD)	2	
8	11516076	8.917	NUT, PREVAILING TORQUE TENSION FLG HD (M8X1.25X17.4 OD (BRK PED)		4	
9			CLIP (*KIT1)			
10			BOLT/SCREW (*KIT1)			
11	11519976	4.634	BOLT, BRK PED (M8 X 1.25 X 20) (8.900)	E	1	
12	11588331	8.915	NUT, HEX HD W/CON WA, M6X1, 5.7THK, 25 O.D., 9, GM6138M (BRK & ACCEL & CLU PED BRKT)		11	
K01	11569844	4.662	RETAINER, BRK PED PUSH ROD (INCLS 9, 10) (WITH BOLT)	E	1	

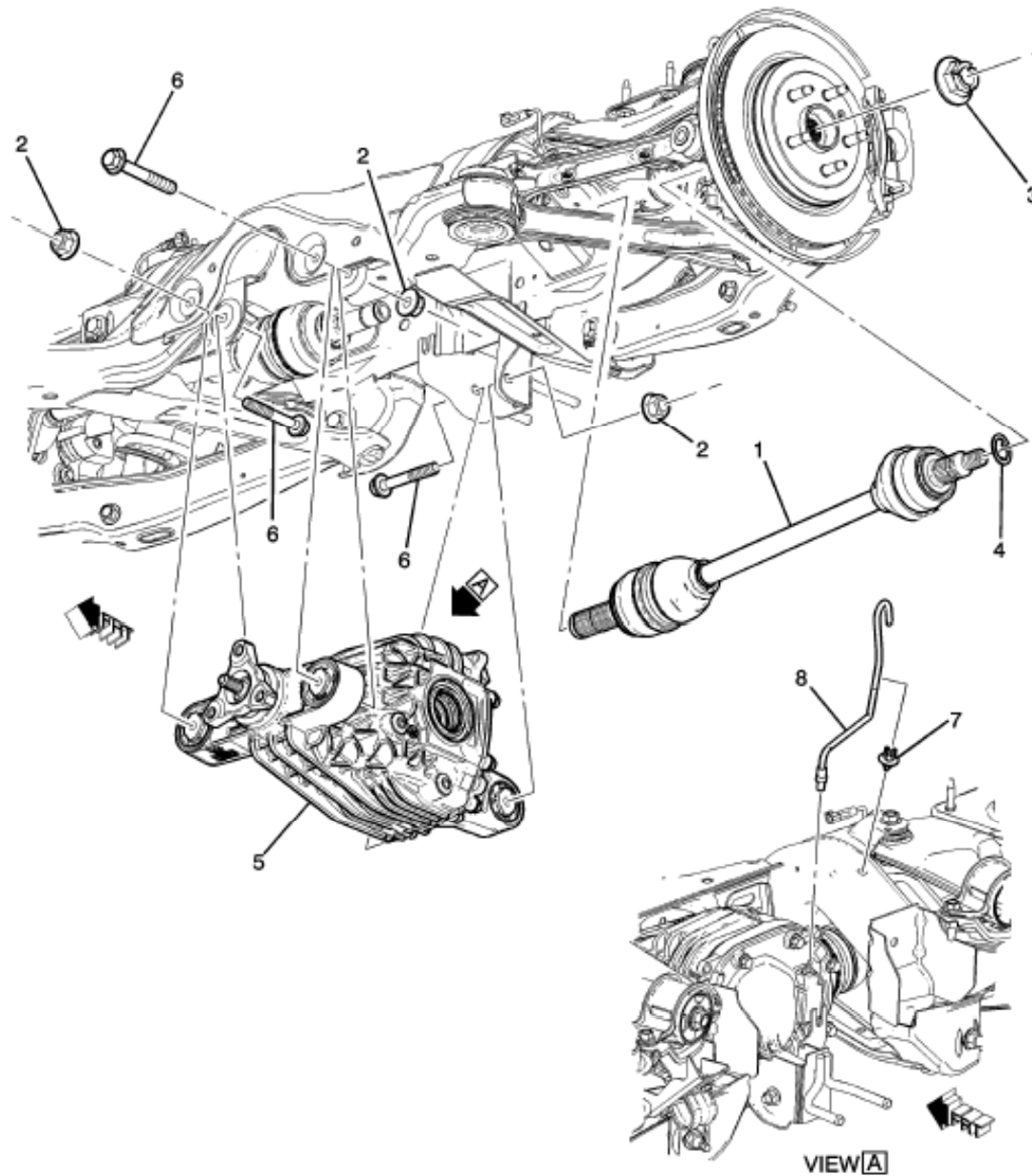


Call	Part Number	Group	Description	Usage	Qty	Hand
1	92200272	4.081	MOUNT, TRANS	E37 (MYC)	1	
2	11102491	4.085	BOLT, TRANS MT (7.242)	E37 (MYB, MYC)	2	
3	11519005	8.917	NUT-HFHLOCK, M12X1.75, 15THK, 31.5 O.D., 10, 7111M, PREV TORQ. (ENG MT ENG SI)		2	
4	92200269	0.029	BRACKET, ENG MT	E37 (LS3, L99)	1	L
5	11571051	8.9	BOLT, HFH, M10X1.5X45, 26 THD, 19 OD, 10.9, GMW3359 M-PT. (ENG MT BRKT)		8	
6	92239457	0.027	MOUNT, ENG	E37 (L99)	2	
7	92200274	4.081	SUPPORT, TRANS	E37 (MYB, MYC)	1	
8	11518630	8.9	BOLT, HFH, M10X1.5X60, 26 THD, 22.3 OD, 10.9, GMW3359, MAT POINT (TRANS SUPT)		4	
9	11516754	8.915	NUT, HEX, W/CON SPR WA, M10X1.5, 10THK, 28 O.D., 10, 7111M (TRANS MT)		2	
10	11519005	8.917	NUT-HFHLOCK, M12X1.75, 15THK, 31.5 O.D., 10, 7111M, PREV TORQ. (ENG MT FRM SI)		2	
11	92200270	0.029	BRACKET, ENG MT	E37 (LS3, L99)	1	R

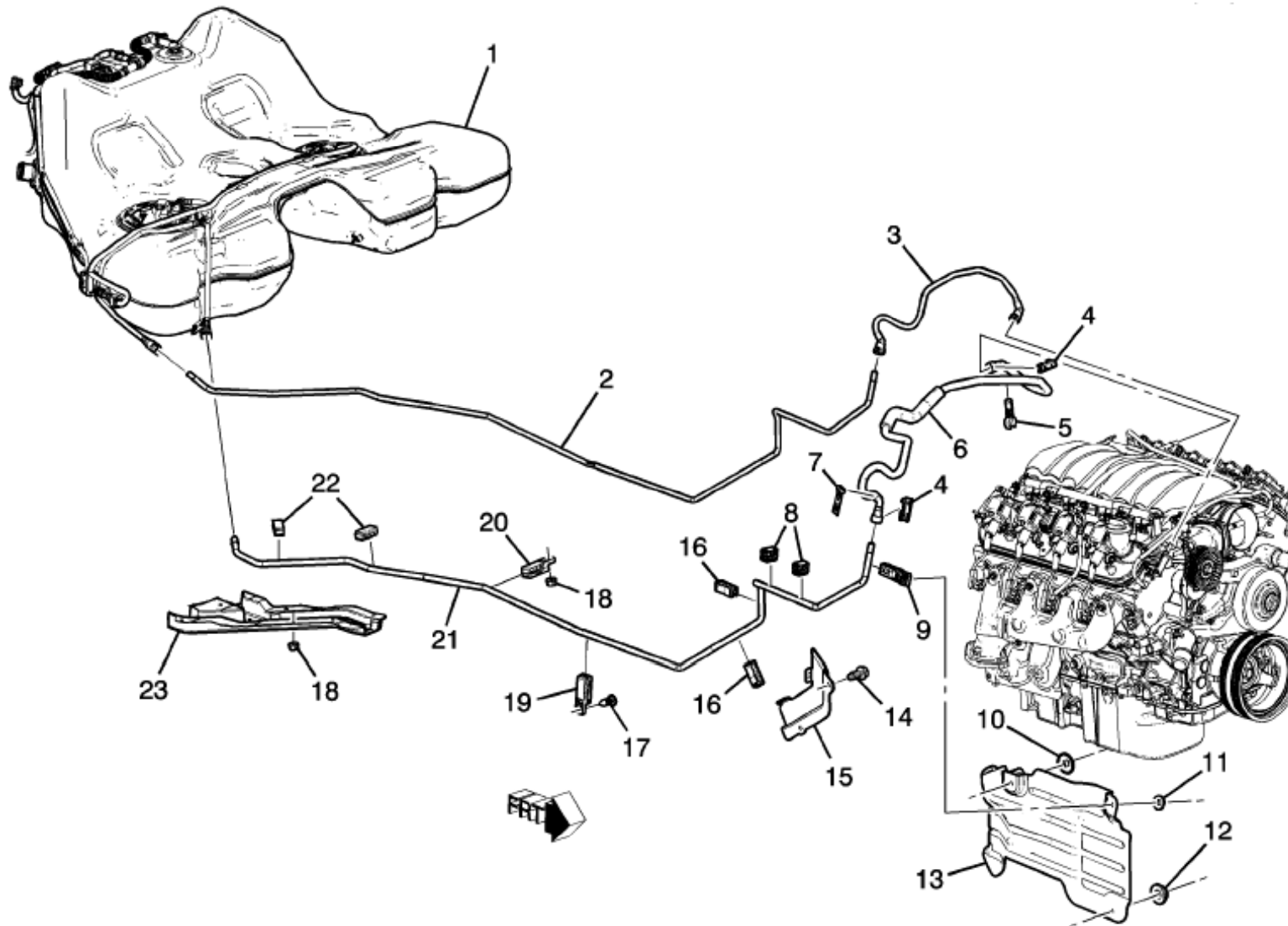


Courtesy of Camaro5.com

Call	Part Number	Group	Description	Usage	Qty	Hand
1	92200273	4.081	MOUNT, TRANS	E37 (LS3, M10)	1	
2	11516327	8.9	BOLT, HFH, M10X1.5X25, 22.30 O.D., HDR PT, 10.9, 7112M (TRANS MT)		2	
3	11519005	8.917	NUT-HFHLOCK, M12X1.75, 15THK, 31.5 O.D., 10, 7111M, PREV TORQ. (ENG MT FRM SI)		2	
4	92200269	0.029	BRACKET, ENG MT	E37 (LS3, L99)		L
5	11571051	8.9	BOLT, HFH, M10X1.5X45, 26 THD, 19 OD, 10.9, GMW3359 M-PT. (ENG MT BRKT)		8	
6	92239456	0.027	MOUNT, ENG	E37 (LS3)	2	
7	11518630	8.9	BOLT, HFH, M10X1.5X60, 26 THD, 22.3 OD, 10.9, GMW3359, MAT POINT (TRANS SUPT)		4	
8	11516754	8.915	NUT, HEX, W/CON SPR WA, M10X1.5, 10THK, 28 O.D., 10, 7111M (TRANS MT)		2	
9	92200277	4.081	SUPPORT, TRANS	E37 (MV5, M10)	1	
10	11519005	8.917	NUT-HFHLOCK, M12X1.75, 15THK, 31.5 O.D., 10, 7111M, PREV TORQ. (ENG MT ENG SI)		2	
11	92200270	0.029	BRACKET, ENG MT	E37 (LS3, L99)	1	R

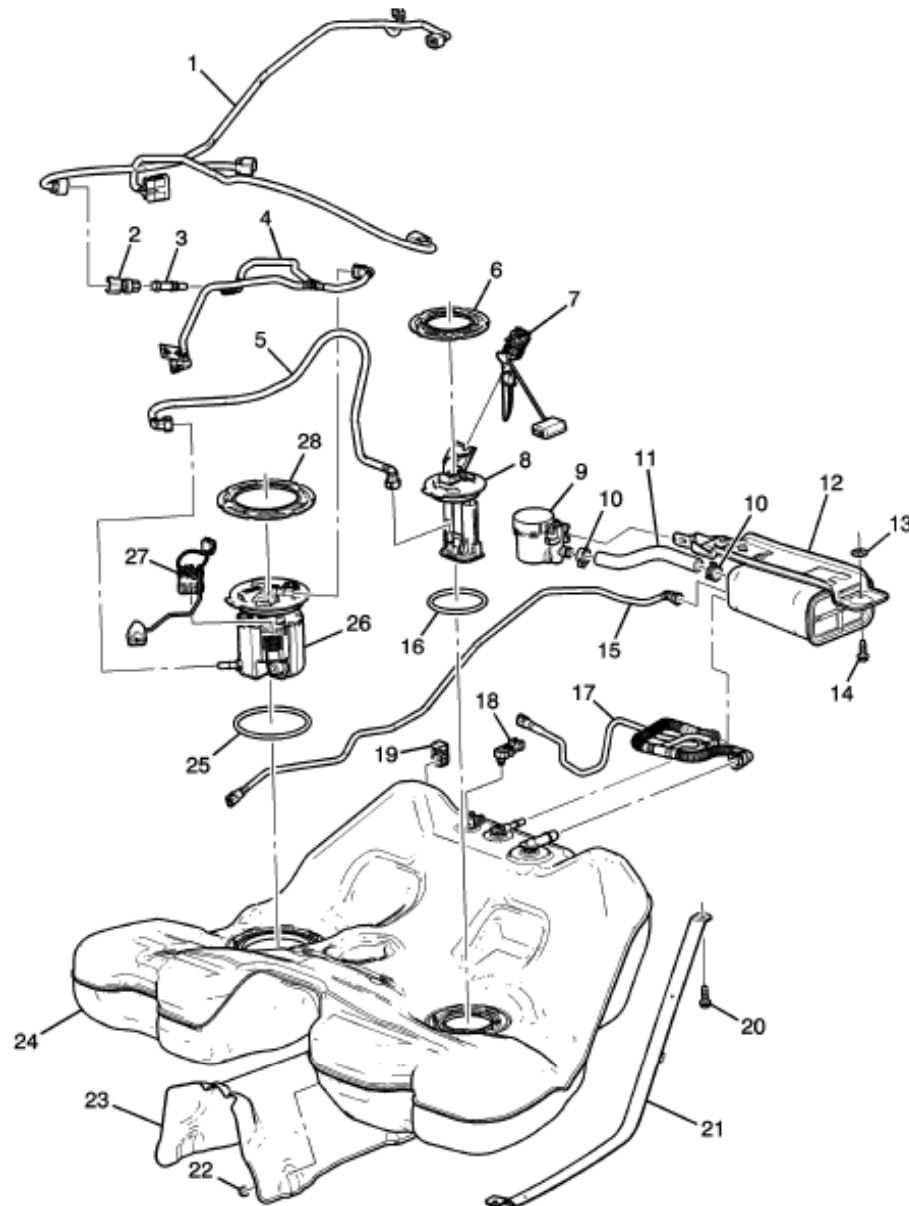


Call	Part Number	Group	Description	Usage	Qty	Hand
1	92238377	5.42	SHAFT, RR WHL DRV (SEE GROUP 05.000 "AXLE SHAFT/REAR" FOR DETAILED ILLUSTRATED VIEW)	E37 (LS3, L99)	1	L
1	92238378	5.42	SHAFT, RR WHL DRV (SEE GROUP 05.000 "AXLE SHAFT/REAR" FOR DETAILED ILLUSTRATED VIEW)	E37 (LS3, L99)	1	R
2	11516078	8.917	NUT, HFH, M12X1.75, 14THK, 25 O.D., 10, PZOR (DIFF CARR SUPT)		3	
3	13217120	5.422	NUT, RR WHL DRV SHF (6.056)	EE, EF, ES	2	
4	20825083	5.422	WASHER, RR WHL DRV SHF (6.056)	EE, EF, ES	2	
5	92239555	5.51	DIFFERENTIAL, (SEE GROUP 05.000 "DIFFERENTIAL CARRIER" FOR DETAILED ILLUSTRATED VIEW)	EE, EF, ES37 (MYB)	1	
5	92239176	5.527	DIFFERENTIAL, (SEE GROUP 05.000 "DIFFERENTIAL CARRIER" FOR DETAILED ILLUSTRATED VIEW)(5.510)	EE, EF, ES37 (M10)	1	
5	92239177	5.527	DIFFERENTIAL, (SEE GROUP 05.000 "DIFFERENTIAL CARRIER" FOR DETAILED ILLUSTRATED VIEW)(5.510)	EE, EF, ES37 (MV5, MYC)	1	
5	92239555	5.527	DIFFERENTIAL, (SEE GROUP 05.000 "DIFFERENTIAL CARRIER" FOR DETAILED ILLUSTRATED VIEW)(5.510)	EE, EF, ES37 (MYB)	1	
5	92239177	5.51	DIFFERENTIAL, (SEE GROUP 05.000 "DIFFERENTIAL CARRIER" FOR DETAILED ILLUSTRATED VIEW)	EE, EF, ES37 (MV5, MYC)	1	
5	92239176	5.51	DIFFERENTIAL, (SEE GROUP 05.000 "DIFFERENTIAL CARRIER" FOR DETAILED ILLUSTRATED VIEW)	EE, EF, ES37 (M10)	1	
6	11516878	8.9	BOLT, HFH, M12X1.75X85, 30THD, 25.6 O.D., 10.9, PC (DIFF CARR INSL)		3	
7	92138785	5.387	CLAMP, R/AXL VENT	EE, EF, ES	1	
8	92202861	5.387	VENT, DIFF	EE, EF, ES	1	



Courtesy of Camaro5.com

Call	Part Number	Group	Description	Usage	Qty	Hand
1	92206032	3.001	TANK, FUEL (SEE GROUP 03.000 "FUEL TANK" FOR DETAILED ILLUSTRATED VIEW)	EE, EF, ES (LS3, L99, LLT)	1	
2	92228252	3.145	PIPE, EVAP EMIS	E37	1	
3	92236249	3.145	HOSE, EVAP EMIS CNSTR PURGE SOL VLV	E (LS3, L99)	1	
4	22695614	3.162	CLIP, FUEL FEED HOSE (13 X 19 X 36MM) (ONE TUBE)	EE, EF, ES	2	
5	92235923	3.162	CLIP, F/INJN FUEL FEED HOSE (PART OF 6)	EE, EF, ES (LS3, L99)	1	
6	92235922	3.163	HOSE, F/INJN FUEL FEED (INCLS 5, 7)	EE, EF, ES (LS3, L99)	1	
7	NS		LABEL, FUEL FEED & RTN PIPE CAUTION (PART OF 6)			
8	92228237	4.686	CLIP, BRK & FUEL FEED & EVAP EMIS PIPE	E37	2	
9	92228232	4.686	CLIP, FRT BRK & FUEL FEED FRT & EVAP EMIS PIPE	E37	1	
10	90214832	12.804	RETAINER, DA PNL OTR INSL (LENGTH 10.8 MM) (12.980)	E37	5	
11	11609411	8.917	NUT, HEX W/CON WA, M6X1, 5.7 THK, 16 OD, 9, GMW3200 (BRK & FUEL PIPE SHLD)		1	
12	11609411	8.917	NUT, HEX W/CON WA, M6X1, 5.7 THK, 16 OD, 9, GMW3200 (FUEL FEED & RTN HARN HT SHLD)		2	
13	92199548	3.163	SHIELD, FUEL FEED & RTN FRT PIPE HT	EE, EF, ES (LHD)	1	
14	11588723	8.9	BOLT, HFH, M8X1.25X25, 18 THD, 18 OD, 8.8 STL, GMW3359, M-PT (BRK PIPE SHLD)		2	
15	92228243	4.685	SHIELD, BRK & FUEL PIPE	E37	1	
16	92228239	4.686	CLIP, BRK & FUEL PIPE	E37	2	
17	NS		RETAINER, FUEL FEED & RTN PIPE (PART OF 19)			
18	90287467	4.686	NUT, BRK & FUEL PIPE RET (BLACK) (5 ID, 12 OD) (SPEED) (8.921)	EE, EF, ES	5	
19	92228240	3.162	RETAINER, BRK & FUEL PIPE (INCLS 17) (HOLDS 4 PIPES;FROM FASTENER;PIPE SIZE RUNS SM HOLES TO LRG)	E37	1	
20	92228241	3.162	RETAINER, BRK & FUEL PIPE (HOLDS 4 PIPES;FROM FASTENER;PIPE SIZE RUNS LRG HOLES TO SM)	E37	1	
21	92228251	3.163	PIPE, FUEL FEED	E37	1	
22	92228242	3.162	INSULATOR, BRK & FUEL PIPE (4.685)	E37	2	
23	92228238	4.685	PROTECTOR, BRK & FUEL FEED & FUEL RTN & EVAP EMIS PIPE	E37	1	



Call	Part Number	Group	Description	Usage	Qty	Hand
1	92202097	2.48	HARNES, F/PMP WRG	E (LLT, LS3, L99)	1	
2	13500745	3.107	SENSOR, FUEL PRESS (PART OF 3) (FUEL PRESS SENSOR ASSEMBLY LABELED 0745) (3.682)	E37	1	
3	92206031	3.107	SENSOR, FUEL PRESS (INCLS 2) (3.682)	EE, EF, ES (LLT, LS3, L99)	1	
4	92200027	3.163	PIPE, FUEL FEED RR	E	1	
4	92226561	3.163	PIPE, FUEL FEED	RR EE, EF, ES (LS3, L99)	1	
5	92214170	3.163	PIPE, FUEL SDR FUEL FEED	EE, EF, ES (LS3, L99, LLT)	1	
6	15776431	3.107	CAM, FUEL SDR (95 MM TANK OPENING CAM LOCK RING)	EE, EF, ES (LS3, L99)	1	
7	NS		SENSOR, FUEL LVL (PART OF 8)			
8	19208723	3.107	SENSOR KIT, FUEL LVL (INCLS 7, 16) (AUX FLS KIT)	EE, EF, ES (LS3, L99, LLT)	1	
9	NS		VALVE, EVAP EMIS CNSTR VENT SOL (PART OF 12)			
10	NS		CLAMP, EVAP EMIS CNSTR VENT SOL VLV HOSE (PART OF 12)			
11	NS		HOSE, EVAP EMIS CNSTR VENT (PART OF 12)			
12	92226690	3.13	CANISTER, EVAP EMIS (INCLS 9-11, 13, 14)	E37	1	
13	11588441	8.915	NUT, STAMP SPECIAL BOLT RETAINER, 24.05X17.42X2.5, SAE 1050 SPR STL, GMW3359 (PART OF 12) (PUSH NUT)		1	
14	11562426	8.9	BOLT, HFH, M6X1X25, 18 THD, 14.2 OD, 10.9 STL GMW3359 (PART OF 12)		1	
15	92232027	3.145	PIPE, EVAP EMIS CNSTR PURGE RR	EE, EF, ES (LS3, L99, LLT)	1	
16	15776433	3.112	SEAL, FUEL SDR (PART OF 8)	EE, EF, ES (LS3, L99, LLT)	1	
17	92225689	3.12	HOSE, F/TNK FIL EVAP EMIS VLV	E (LS3, L99)	1	
18	13502903	3.107	SENSOR, F/TNK PRESS (ACDelco #13502903)	EE, EF, ES (LLT, LS3, L99)	1	
19	10440011	3.145	CLIP, EVAP EMIS CNSTR PURGE HARN (HOLDS 2 LINES DIA 7.9 AND ONE 9.5 DIA LINE) (3.162)	EE, EF, ES (LS3, L99)	1	
20	11515767	8.9	BOLT, HFH, M10X1.5X35, 32THD, 22.3 O.D., MACH, 10.9, 7114M (F/TNK STRP) (T/W 12345493)		4	
21	92159806	3.022	STRAP, F/TNK	EE, EF, ES (LS3, L99, LLT)	2	
22	11516075	8.917	NUT, HFH SELF LK, M6X1, 7.7THK, 14.2 O.D., 9, PZOR (F/TNK H/SHLD)		4	
23	92159813	3.015	SHIELD, F/TNK HT	EE, EF, ES	1	
24	92206032	3.001	TANK, FUEL	EE, EF, ES (LS3, L99, LLT)	1	
25	22682111	3.112	SEAL, FUEL SDR (PART OF 26, 27) (135.5 MM ID X 147.5MM OD X 6MMTALL)	EE, EF, ES (LS3, L99, LLT)	1	
26	19208719	3.107	MODULE KIT, F/TNK F/PMP (W/O FUEL LVL SEN) (INCLS 25)	EE, EF, ES (LS3, L99)	1	
27	19208722	3.107	SENSOR KIT, FUEL LVL (INCLS 25) (PRIMARY FLS KIT)	EE, EF, ES (LS3, L99, LLT)	1	
28	10325852	3.107	RING, FUEL SDR RET (130 MM OPENING CAM LOCK RING) (3.115)	EE, EF, ES (LS3, L99, LLT)	1	